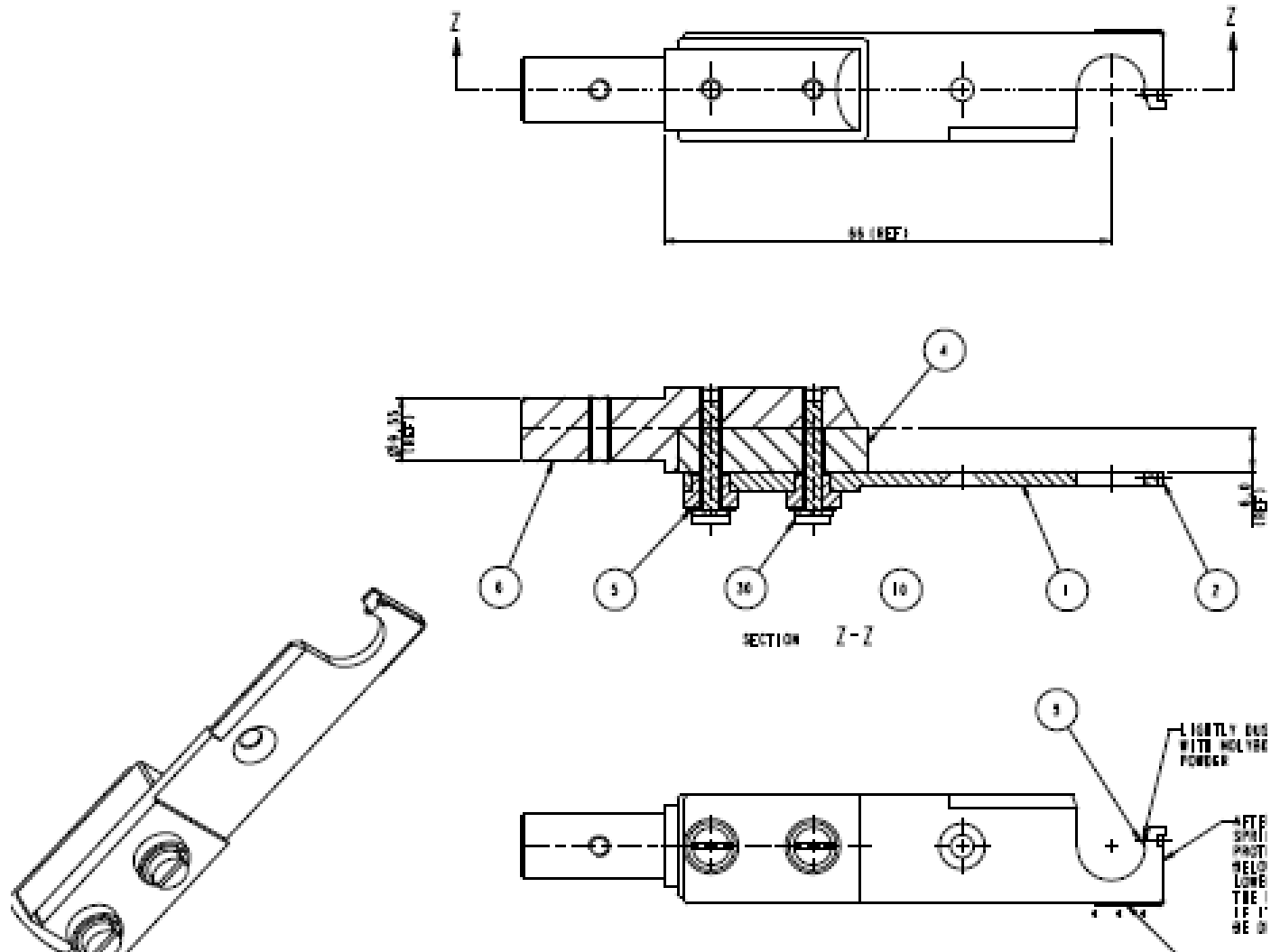
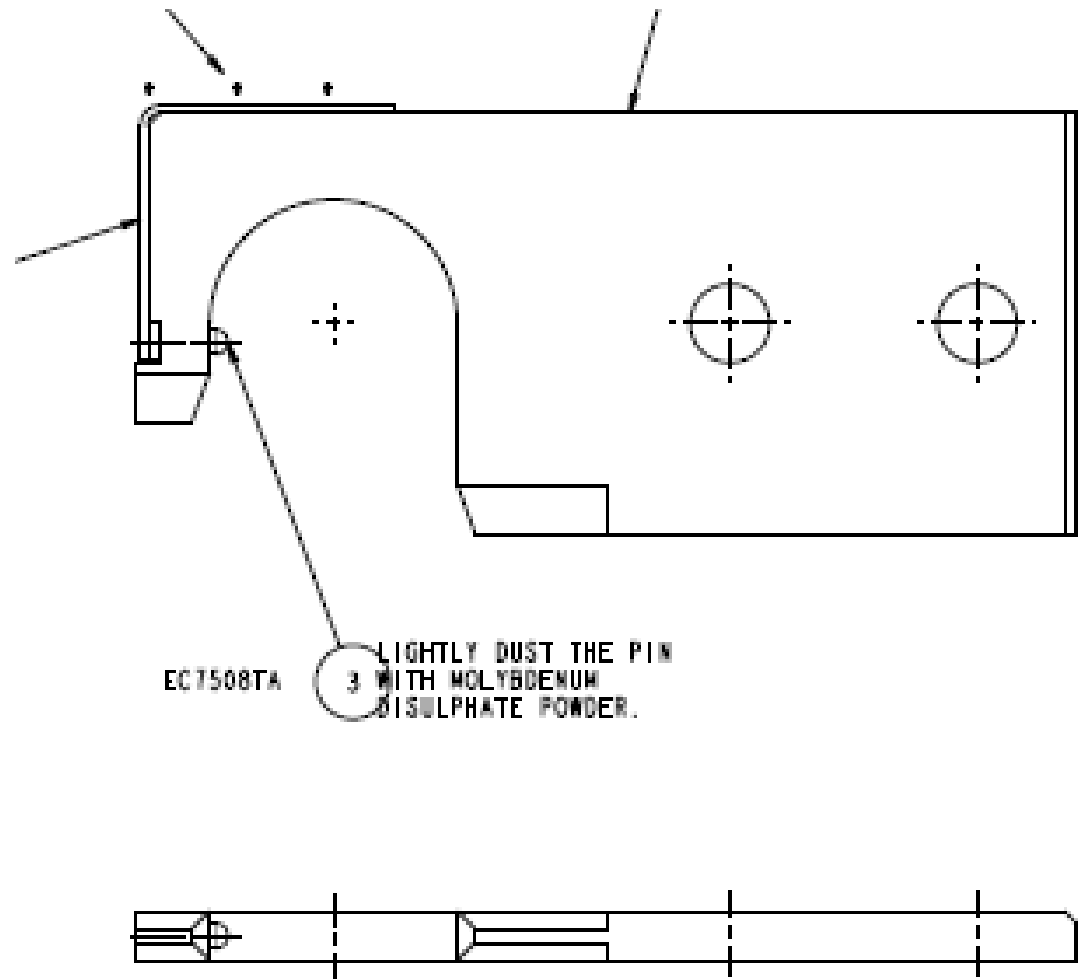


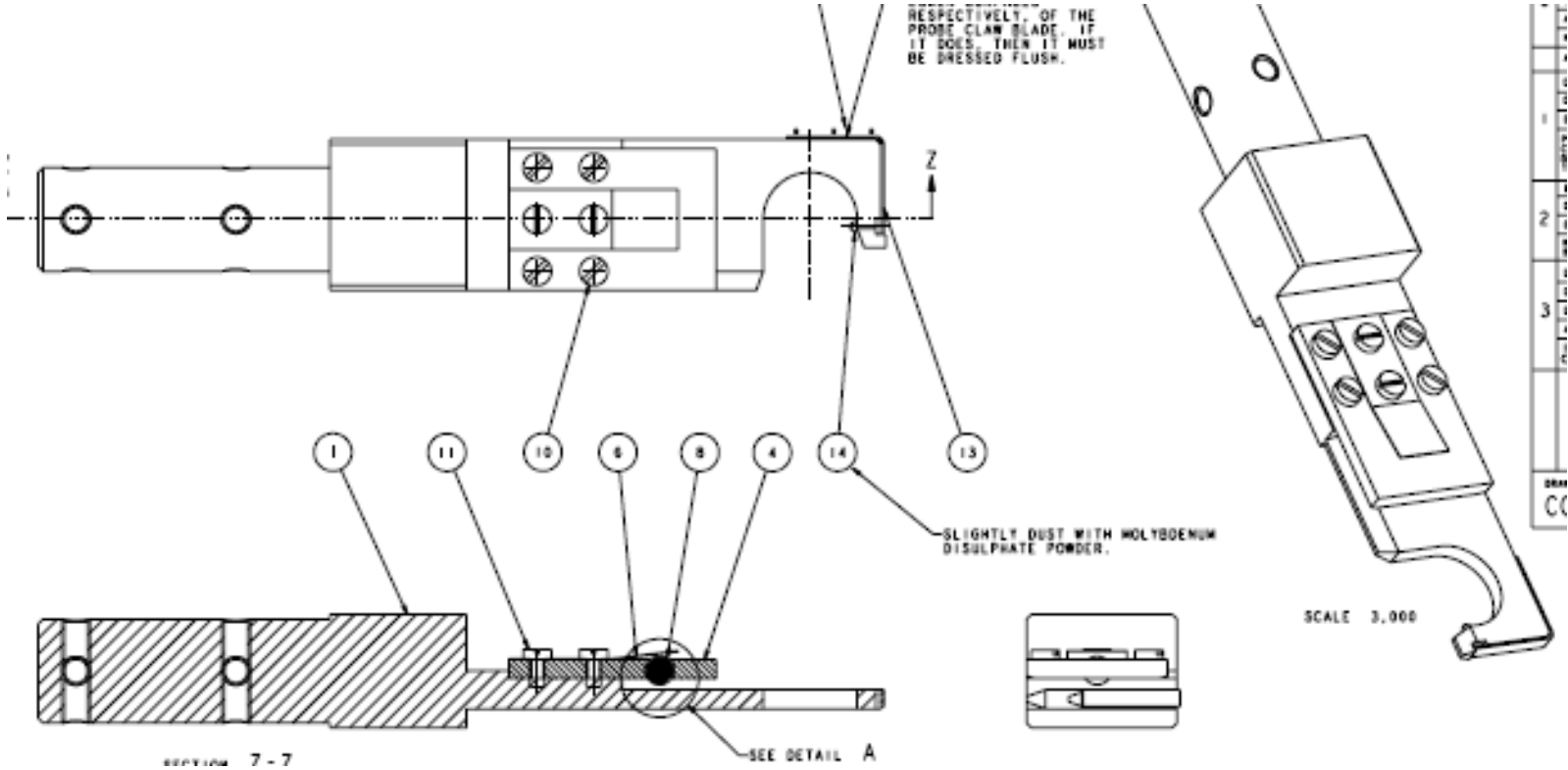
On HREELs interface
CE5186AA



On Inert sample transfer system
DE5153AA
Small attached plate



On Main stage probe in twin sample entry system
 CC6750AD



On twin sample entry system
CC6750AG Mirror version of CC6750AD

