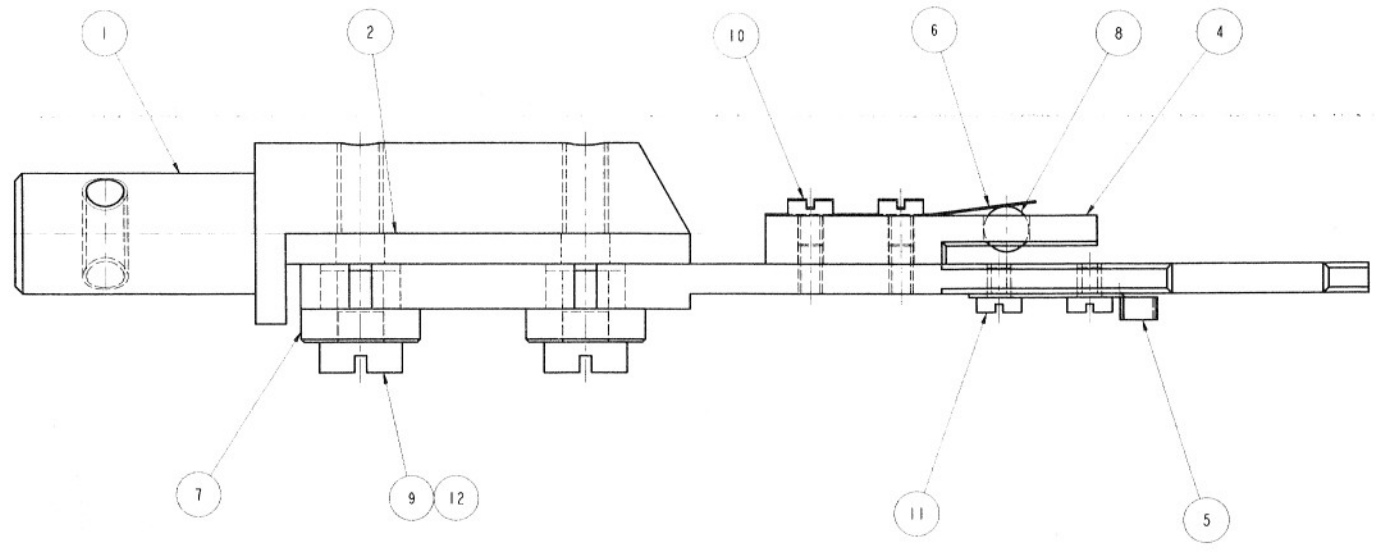
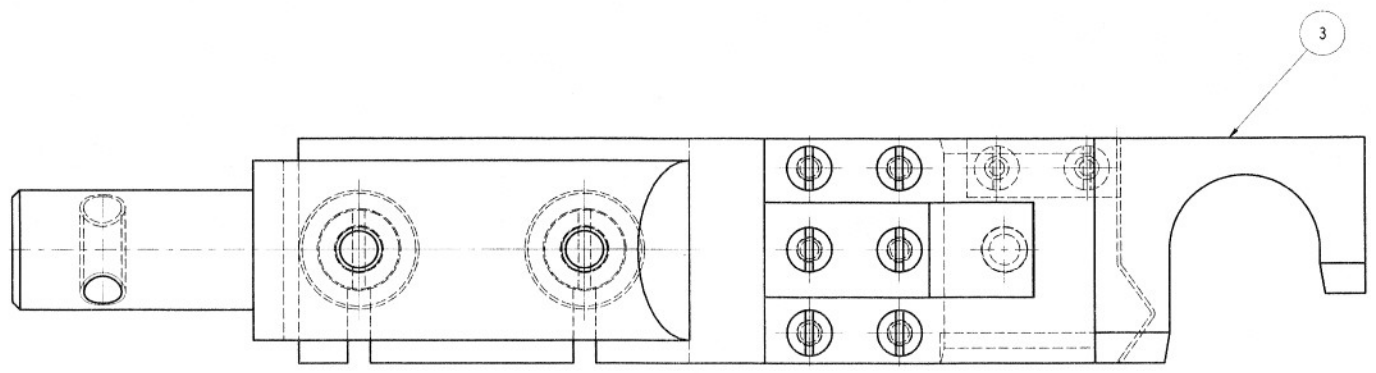


DRAWING NUMBER	
CC6750AA	
REVISION	
DRAWN	RFH
DATE	14/01/98
DCR/PROJ.	
APPROVED	
NEW DRAWING	

DRAWING NUMBER
CC6750AA



KRATOS ANALYTICAL
A SHIMADZU GROUP COMPANY

Wharfside
Trafford Wharf Road
Manchester M17 1GP
UK
Tel 0161 888 4400
Fax 0161 888 4401

Kratos Ltd. owns the copyright of this drawing which is supplied in confidence and must not be disclosed, loaned, copied, or used for manufacturing or any other purpose without their written permission.
© 1997 KRATOS LTD.

THIRD ANGLE PROJECTION DRAWN TO BS 308

UNLESS OTHERWISE STATED:
ALL DIMENSIONS IN mm

LINEAR TOLERANCES
X ±0.5
X.X ±0.1
X.XX ±0.05

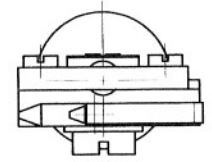
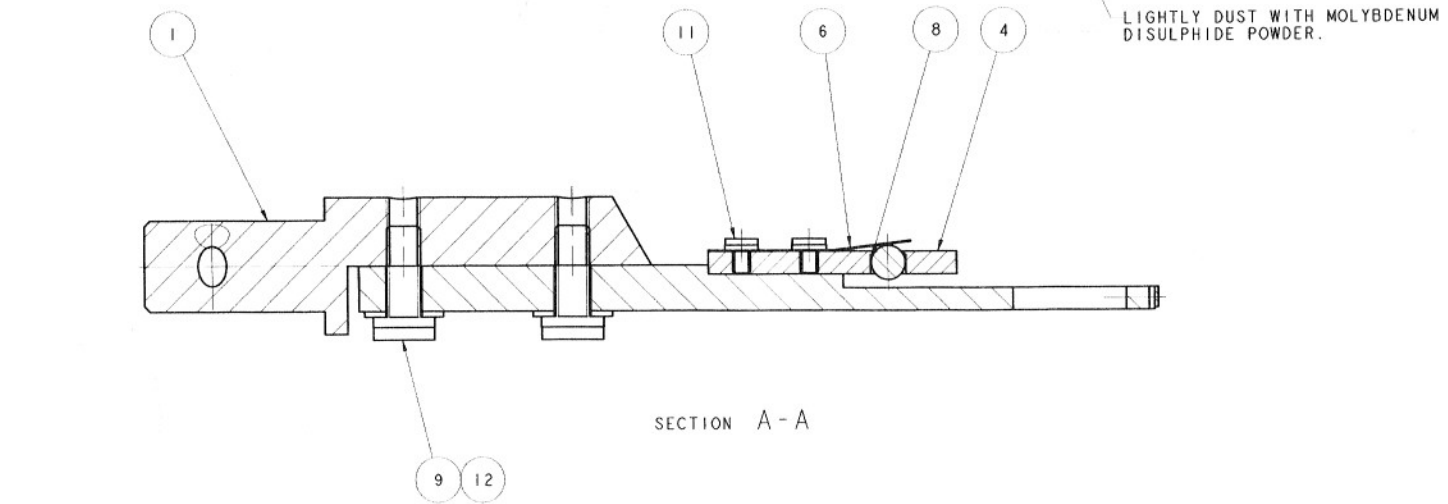
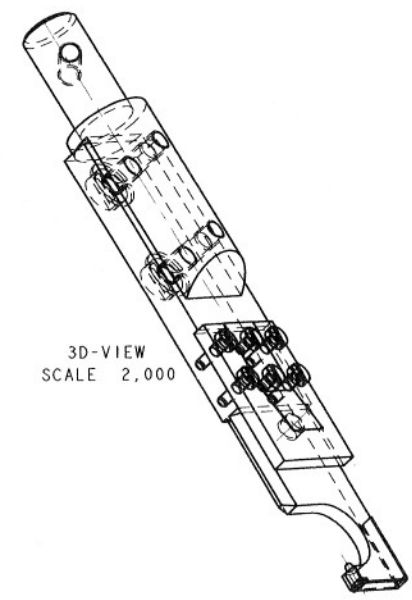
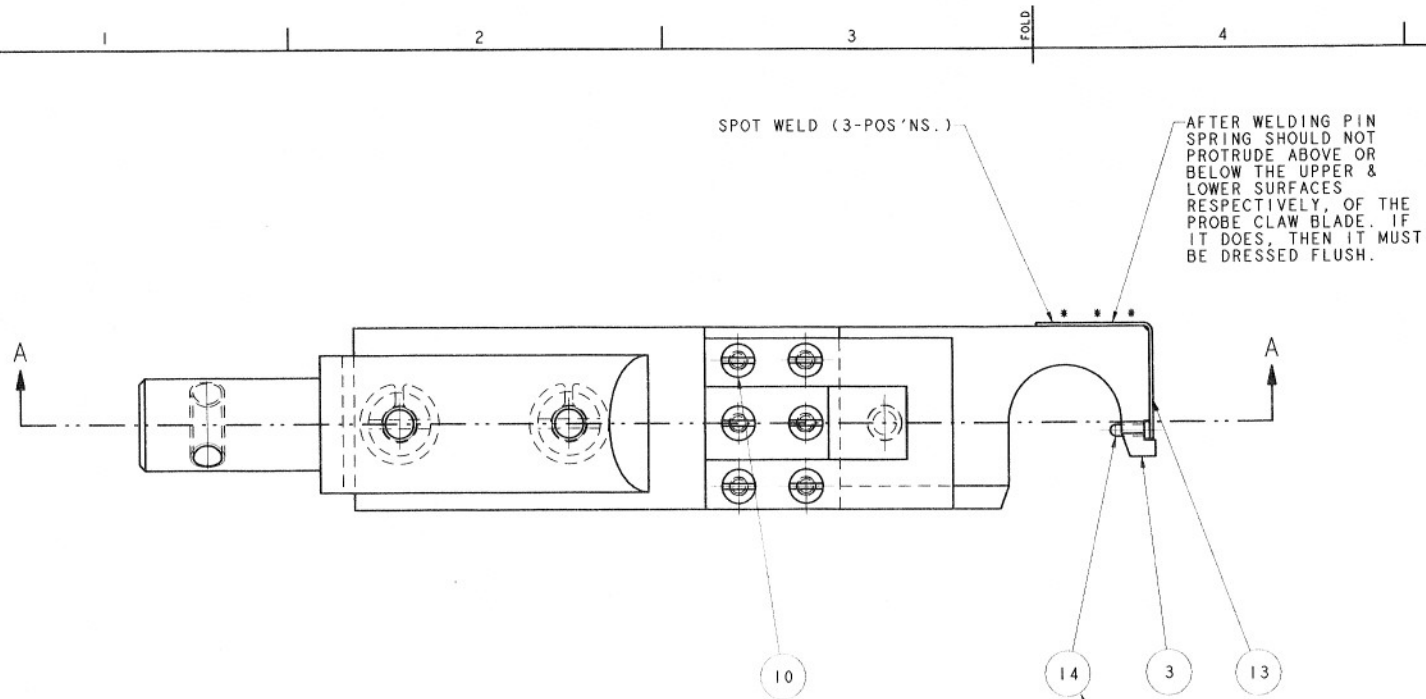
ANGULAR TOLERANCES
X° ±0.5
X.X° ±0.1
INTERNAL RADI! R0.3 MAX

REMOVE ALL BURRS AND SHARP EDGES

MATERIAL	CC6750AA
FINISH	CLEAN TO SAM1 548/549
REFERENCES	
SIMILAR EQMT	
TITLE	INSULATED PROBE CLAW ASSY VEE STRIP BAR COMPATIBLE

SCALE	4:1
DO NOT SCALE IF IN DOUBT ASK	
SHEET SIZE = 595 X 420	
DRAWING NUMBER	CC6750AA
SHEET 1 OF 1	

DRAWING NUMBER	
CC6750AB	
REVISION	
0	DRAWN P. LYNN DATE 30/4/99 DCR/PROJ. 6797 APPROVED NEW DRAWING
1	AS CC6750AA BUT, ITEMS - 13 & 14 ADDED; ITEM - 5 DELETED (DC4918TA RETAIN 'G. SPRING)
1	DRAWN I. BLACKBURN DATE 22.03.02 DCR/PROJ. 7945 APPROVED P. LYNN
2	ITEM'S 2, 7 DELETED. ITEM'S 3, 9, 12 NEW PARTS. DRAWN I. BLACKBURN DATE 05.04.02 DCR/PROJ. 7971 APPROVED P. LYNN
3	FIND 4 NEW PART. DRAWN I. BLACKBURN DATE 21.07.04 DCR/PROJ. 9463 NOTE ADDED TO PIN SPRING.
DRAWING NUMBER	
CC6750AB	

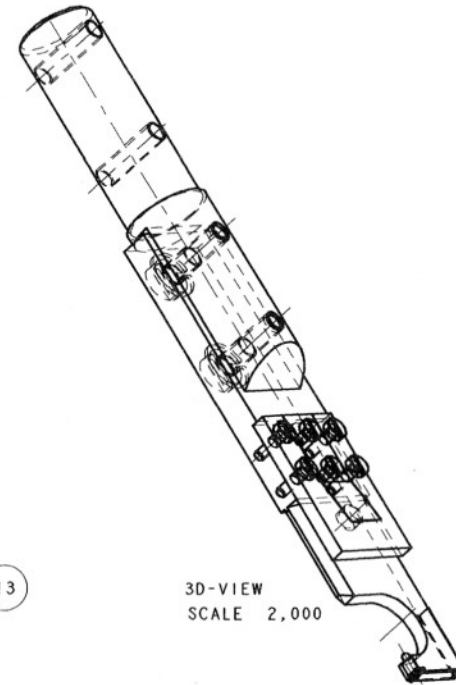
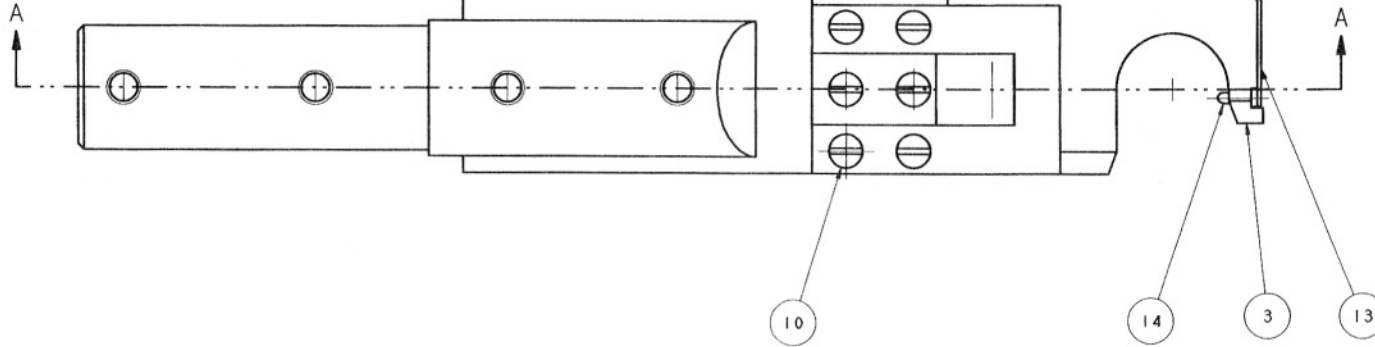


<p>KRATOS ANALYTICAL A SHIMADZU GROUP COMPANY</p> <p>Wharfside Trafford Wharf Road Manchester M17 1GP UK Tel 0161 888 4400 Fax 0161 888 4401</p> <p><small>Kratos Ltd. owns the copyright of this drawing which is supplied in confidence and must not be disclosed, loaned, copied, or used for manufacturing or any other purpose without their written permission © 1997 KRATOS LTD.</small></p>	<p>UNLESS OTHERWISE STATED: ALL DIMENSIONS IN mm</p> <p>LINEAR TOLERANCES X ±0.5 X.X ±0.1 X.XX ±0.05</p> <p>ANGULAR TOLERANCES X° ±0.5 X.X° ±0.1 INTERNAL RADI R0.3 MAX</p> <p>0.8 REMOVE ALL BURRS AND SHARP EDGES</p>	<p>MATERIAL CC6750AB</p> <p>FINISH CLEAN FOR UHV TO SAMI 572</p> <p>REFERENCES</p> <p>SIMILAR EQMT CC6750AA</p> <p>TITLE INSULATED PROBE CLAW ASSEMBLY VEE STRIP BAR COMPATIBLE.</p>	<p>SCALE 3:1</p> <p>DO NOT SCALE IF IN DOUBT ASK</p> <p>SHEET SIZE = 595 X 420</p> <p>DRAWING NUMBER CC6750AB</p> <p>SHEET 1 OF 1</p>	
	<p>THIRD ANGLE PROJECTION</p> <p>DRAWN TO BS 308</p>			

FOLD

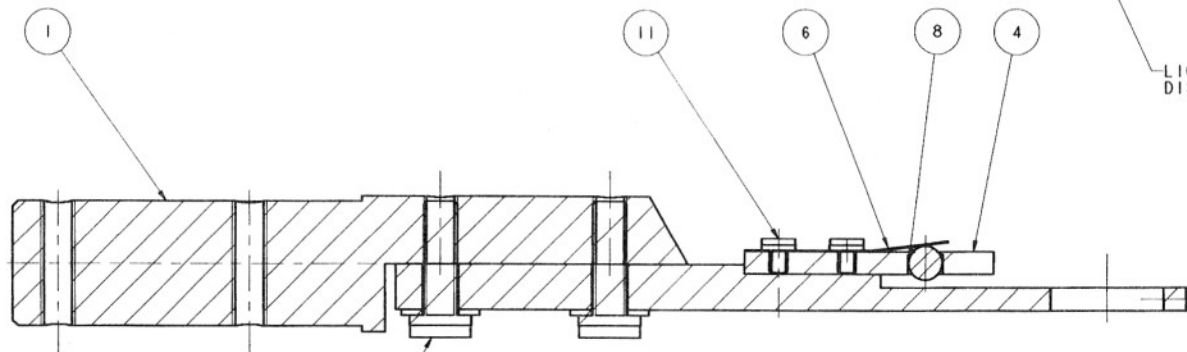
AFTER WELDING PIN SPRING SHOULD NOT PROTRUDE ABOVE OR BELOW THE UPPER & LOWER SURFACES RESPECTIVELY, OF THE PROBE CLAW BLADE. IF IT DOES, THEN IT MUST BE DRESSED FLUSH.

SPOT WELD (3-POS'NS.)



3D-VIEW
SCALE 2,000



LIGHTLY DUST WITH MOLYBDENUM
DISULPHIDE POWDER.



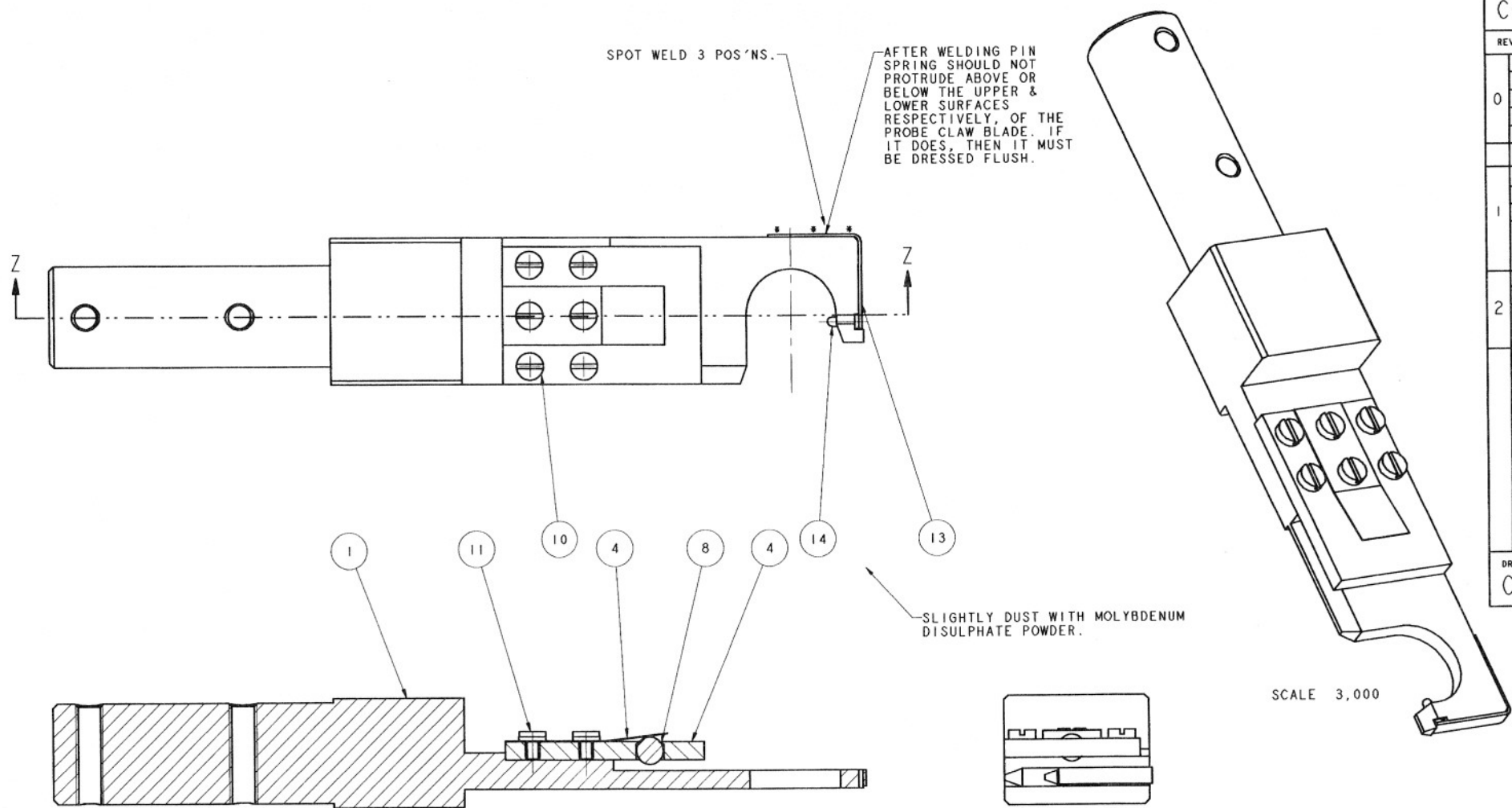
SECTION A-A

9
12

DRAWING NUMBER CC6750AC	
REVISION	
0	DRAWN P. LYNN DATE 14.07.00 DCR/PROJ. APPROVED NEW DRAWING SEE B.O.M.
1	DRAWN P. LYNN DATE 14/5/02 DCR 8047 DRAWING BROUGHT IN LINE WITH BOM i.e. ITEM-2 (INSULATOR) OMITTED.
2	DRAWN I. BLACKBURN DATE 21.07.04 DCR/PROJ. 9463 NOTE ADDED TO PIN SPRING.
DRAWING NUMBER CC6750AC	

 <p>Wharfside Trafford Wharf Road Manchester M17 1GP UK Tel 0161 888 4400 Fax 0161 888 4401</p> <p><small>Kratos Ltd. owns the copyright of this drawing which is supplied in confidence and must not be disclosed, loaned, copied, or used for manufacturing or any other purpose without their written permission ©1997 KRATOS LTD.</small></p> <p>THIRD ANGLE PROJECTION  DRAWN TO BS 308</p>	<p>UNLESS OTHERWISE STATED: ALL DIMENSIONS IN mm</p> <p>LINEAR TOLERANCES X ±0.5 X.X ±0.1 X.XX ±0.05</p> <p>ANGULAR TOLERANCES X° ±0.5 X.X° ±0.1 INTERNAL RADI1 R0.3 MAX</p> <p>0.8/ REMOVE ALL BURRS AND SHARP EDGES</p>	<p>MATERIAL CC6750AC</p> <p>FINISH CLEAN FOR UHV TO SAM1 572</p> <p>REFERENCES</p> <p>SIMILAR EQMT CC6750AB</p> <p>TITLE PROBE CLAW ASSY. VEE STRIP BAR COMPATIBLE.</p>	<p>SCALE 3:1</p> <p>DO NOT SCALE IF IN DOUBT ASK</p> <p>SHEET SIZE = 595 X 420</p> <p>DRAWING NUMBER CC6750AC SHEET 1 OF 1</p>
--	---	---	---

DRAWING NUMBER CC6750AD	
REVISION	
0	DRAWN I. BLACKBURN DATE 01.03.02 DCR/PROJ. APPROVED NEW DRAWING
1	ADAPTOR/CLAW - 1 PIECE DRAWN P. LYNN DATE 16/5/02 DCR 8047 PICTORIALLY AMENDED, CLAW 2mm HIGHER, BALLOON No'S CHANGED TO MATCH BOM.
2	DRAWN I. BLACKBURN DATE 21.07.04 DCR/PROJ. 9463 NOTE ADDED TO PIN SPRING.
DRAWING NUMBER CC6750AD	



SECTION Z-Z

SCALE 3,000

NOTE: THIS CLAW IS SIMILAR TO, BUT SHORTER THAN CC6750AC.

- 0 GAUGE-1: T648892
- 16 GAUGE-4: T648895

KRATOS ANALYTICAL
A SHIMADZU GROUP COMPANY

Wharfedale
Trafford Wharf Road
Manchester M17 1GP
UK
Tel 0161 888 4400
Fax 0161 888 4401

Kratos Ltd. owns the copyright of this drawing which is supplied in confidence and must not be disclosed, loaned, copied, or used for manufacturing or any other purpose without their written permission
©1997 KRATOS LTD.

THIRD ANGLE PROJECTION DRAWN TO BS 308

UNLESS OTHERWISE STATED:
ALL DIMENSIONS IN mm

LINEAR TOLERANCES
X ±0.5
X.X ±0.1
X.XX ±0.05

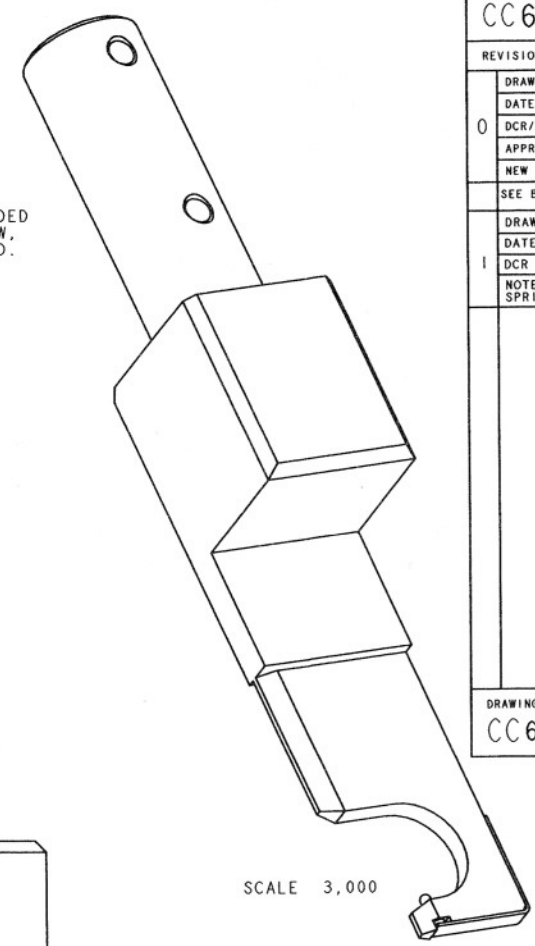
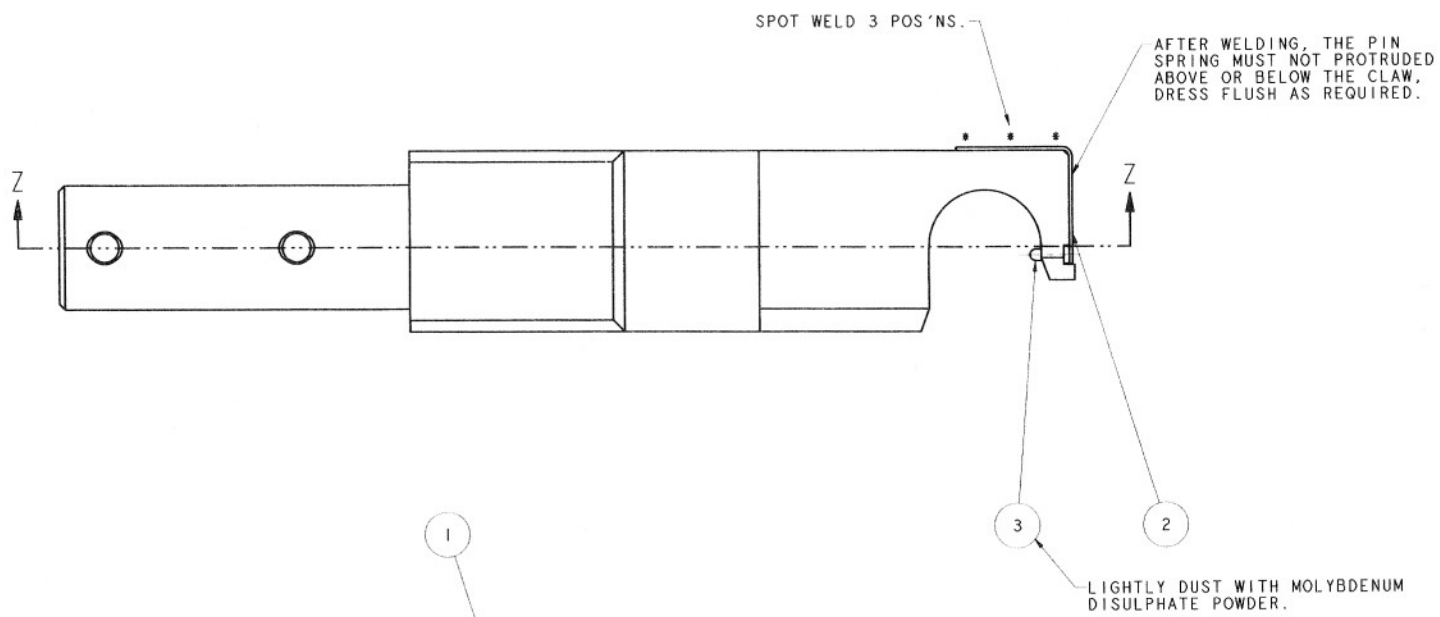
ANGULAR TOLERANCES
X° ±0.5
X.X° ±0.1
INTERNAL RADI! R0.3 MAX

0.8 REMOVE ALL BURRS AND SHARP EDGES

MATERIAL	CC6750AD
FINISH	CLEAN FOR UHV TO SAMI 572
REFERENCES	WX-523R01
SIMILAR EQMT	CC6750AC
TITLE	PROBE CLAW ASSY. VEE STRIP BAR COMPATIBLE.

SCALE	3:1
DO NOT SCALE IF IN DOUBT ASK	
SHEET SIZE = 595 X 420	
DRAWING NUMBER	CC6750AD
SHEET 1 OF 1	

DRAWING NUMBER CC6750AE	
REVISION	
0	DRAWN I. BLACKBURN DATE 07.02.03 DCR/PROJ. APPROVED NEW DRAWING SEE BOM ENGR. COMMENTS.
1	DRAWN P. LYNN DATE 21/7/04 DCR 9463 NOTE ADDED TO PIN SPRING
DRAWING NUMBER CC6750AE	



SCALE 3,000

SECTION Z-Z

NOTE: THIS CLAW IS SIMILAR TO CC6750AD, SEE B.O.M. CC6750AE FOR ENGINEERING COMMENTS.

- 0 GAUGE-1: T648892
- 16 GAUGE-4: T648895

KRATOS ANALYTICAL
A SHIMADZU GROUP COMPANY

Wharfside
Trafford Wharf Road
Manchester M17 1GP
UK
Tel 0161 888 4400
Fax 0161 888 4401

Kratos Ltd. owns the copyright of this drawing which is supplied in confidence and must not be disclosed, loaned, copied, or used for manufacturing or any other purpose without their written permission
©1997 KRATOS LTD.

THIRD ANGLE PROJECTION DRAWN TO BS 308

UNLESS OTHERWISE STATED:
ALL DIMENSIONS IN mm

LINEAR TOLERANCES
X ±0.5
X, X ±0.1
X, XX ±0.05

ANGULAR TOLERANCES
X° ±0.5
X, X° ±0.1

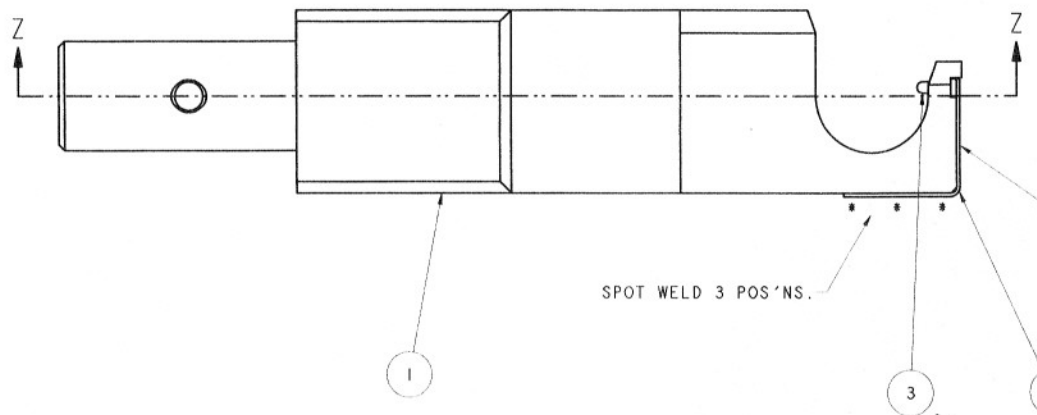
INTERNAL RADII R0.3 MAX

REMOVE ALL BURRS AND SHARP EDGES

MATERIAL	SEE B.O.M. CC6750AE
FINISH	CLEAN FOR UHV TO SAMI 572
REFERENCES	
SIMILAR EQMT	CC6750AD
TITLE	PROBE CLAW ASSY.

SCALE	3:1
DO NOT SCALE IF IN DOUBT ASK	
SHEET SIZE = 595 X 420	
DRAWING NUMBER	CC6750AE
SHEET 1 OF 1	

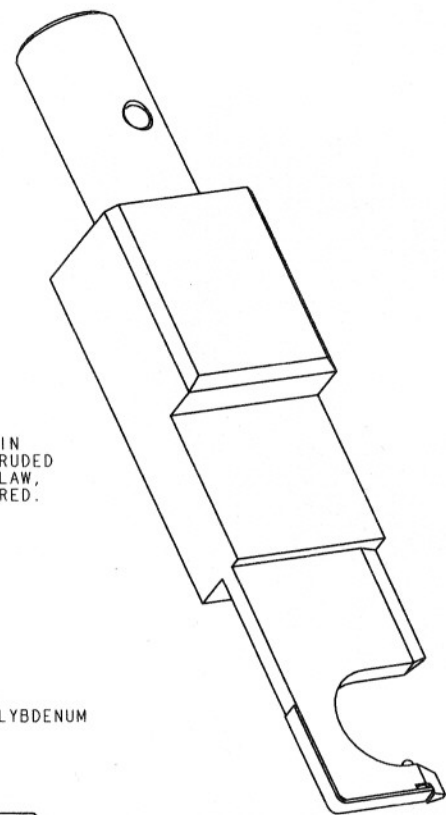
DRAWING NUMBER	
CC6750AF	
REVISION	
DRAWN	I. BLACKBURN
DATE	09.06.03
DCR/PROJ.	0
APPROVED	
NEW DRAWING	
SEE BOM ENG. COMMENTS.	
DRAWN	P. LYNN
DATE	21/7/04
DCR	9463
NOTE ADDED TO PIN SPRING	



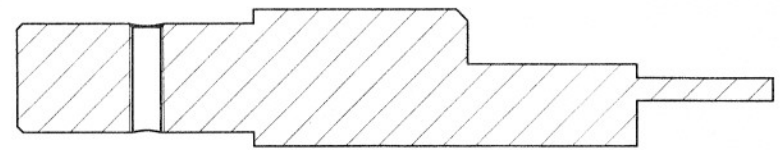
AFTER WELDING, THE PIN SPRING MUST NOT PROTRUDE ABOVE OR BELOW THE CLAW. DRESS FLUSH AS REQUIRED.

SPOT WELD 3 POS'NS.

SLIGHTLY DUST WITH MOLYBDENUM DISULPHATE POWDER.



SCALE 3,000



SECTION Z-Z

- 0 GAUGE-1: T648892
- 16 GAUGE-4: T648895

KRATOS ANALYTICAL
A SHIMADZU GROUP COMPANY

Wharfside
Trafford Wharf Road
Manchester M17 1GP
UK
Tel 0161 888 4400
Fax 0161 888 4401

Kratos Ltd. owns the copyright of this drawing which is supplied in confidence and must not be disclosed, loaned, copied, or used for manufacturing or any other purpose without their written permission.
©1997 KRATOS LTD.

THIRD ANGLE PROJECTION DRAWN TO BS 308

UNLESS OTHERWISE STATED:
ALL DIMENSIONS IN mm

LINEAR TOLERANCES
X ±0,5
X.X ±0,1
X.XX ±0,05

ANGULAR TOLERANCES
X° ±0,5
X.X° ±0,1

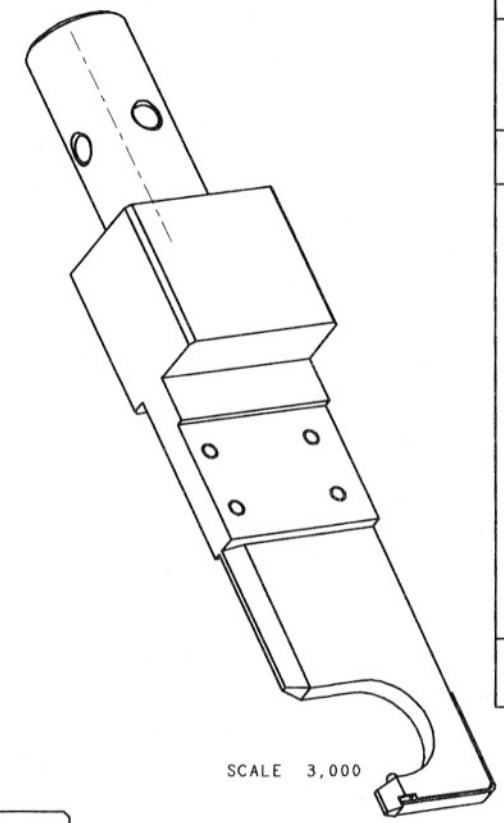
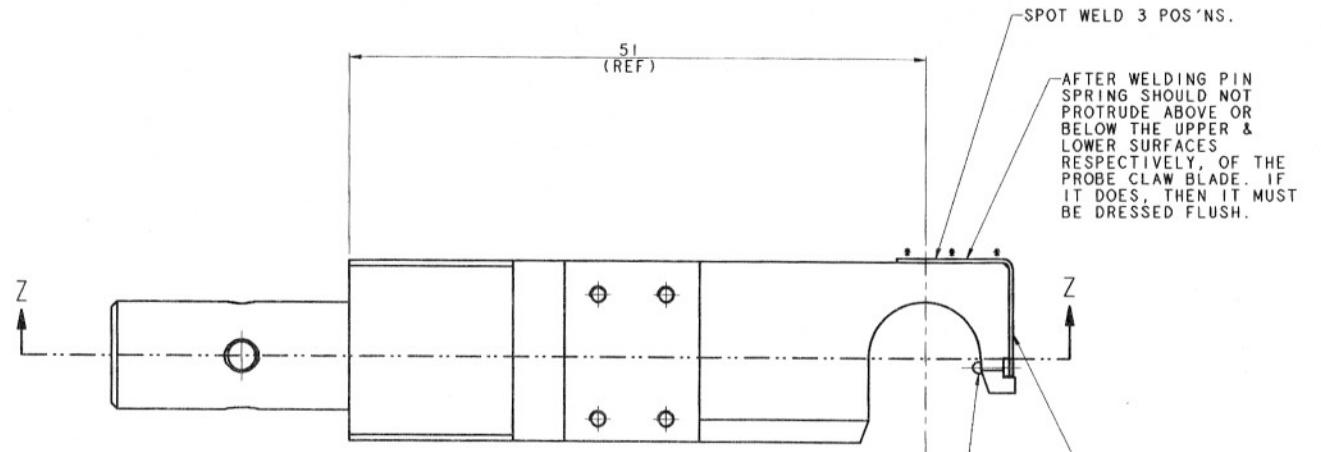
INTERNAL RADIi R0,3 MAX

REMOVE ALL BURRS AND SHARP EDGES

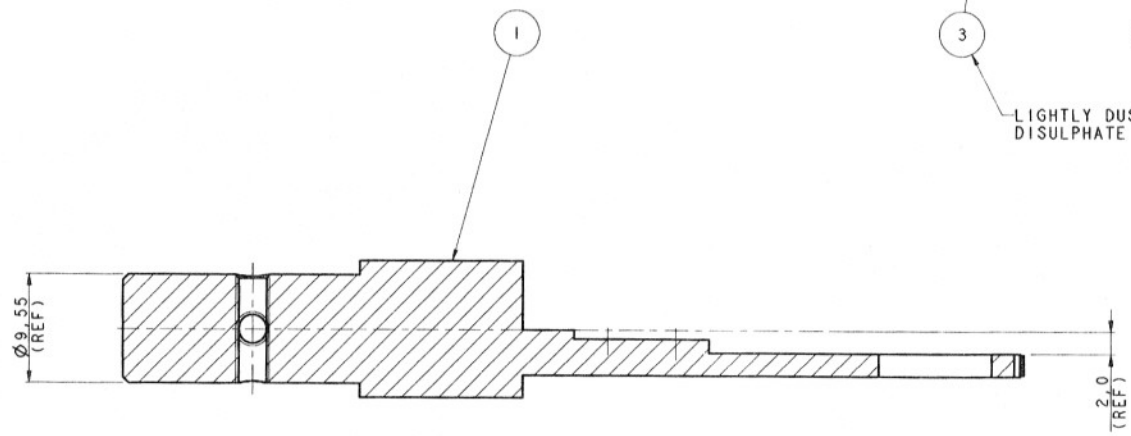
MATERIAL	SEE B.O.M. CC6750AF
FINISH	CLEAN FOR UHV TO SAMI 572
REFERENCES	
SIMILAR EQMT	CC6750AE
TITLE	PROBE CLAW ASSY.

SCALE	3:1
DO NOT SCALE IF IN DOUBT ASK	
SHEET SIZE	= 595 X 420
DRAWING NUMBER	CC6750AF
SHEET	1 OF 1

DRAWING NUMBER	
CC6750AH	
REVISION	
DRAWN	P. LYNN
DATE	30/05/06
DCR/PROJ.	0
APPROVED	
NEW DRAWING	
SIMILAR CC6750AD BUT WITHOUT SAMPLE BAR SPRING RETAINER & HAS A SMALLER STUB	



LIGHTLY DUST WITH MOLYBDENUM DISULPHATE POWDER.



DRAWING NUMBER	
CC6750AH	

NOTE: THIS CLAW IS SIMILAR TO CC6750AD, BUT WITHOUT THE ANTI-SAG, SPRING PLATE, & HAS Ø9.55 STUB

0 GAUGE-1: T648892

KRATOS ANALYTICAL
A SHIMADZU GROUP COMPANY

Wharfside
Trafford Wharf Road
Manchester M17 1GP
UK
Tel 0161 888 4400
Fax 0161 888 4401

Kratos Ltd. owns the copyright of this drawing which is supplied in confidence and must not be disclosed, loaned, copied, or used for manufacturing or any other purpose without their written permission
©1997 KRATOS LTD.

THIRD ANGLE PROJECTION DRAWN TO BS 308

UNLESS OTHERWISE STATED:
ALL DIMENSIONS IN mm

LINEAR TOLERANCES
X ±0.5
X.X ±0.1
X.XX ±0.05

ANGULAR TOLERANCES
X° ±0.5
X.X° ±0.1
INTERNAL RADII R0.3 MAX

0.8 REMOVE ALL BURRS AND SHARP EDGES

MATERIAL	CC6750AH	SCALE	3:1
FINISH	CLEAN FOR UHV TO SAMI 572	DO NOT SCALE IF IN DOUBT ASK	
REFERENCES	CE-5041	SHEET SIZE = 595 X 420	
SIMILAR EQMT	CC6750AD	DRAWING NUMBER	
TITLE	PROBE CLAW ASSY	CC6750AH	
		SHEET 1 OF 1	