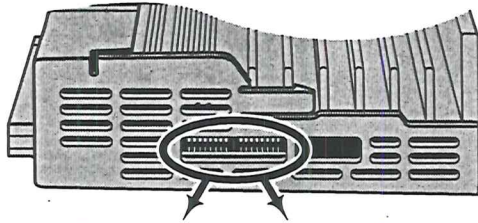


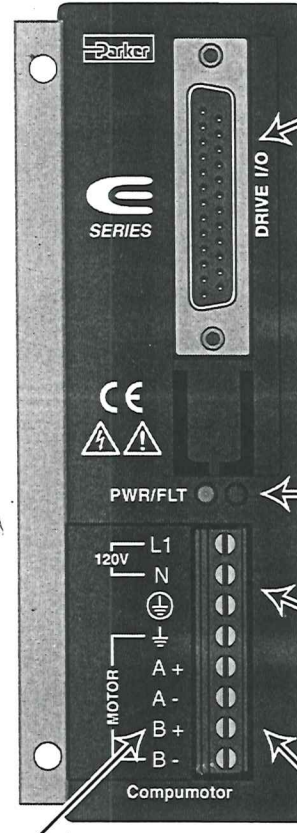
DIP Switch Settings



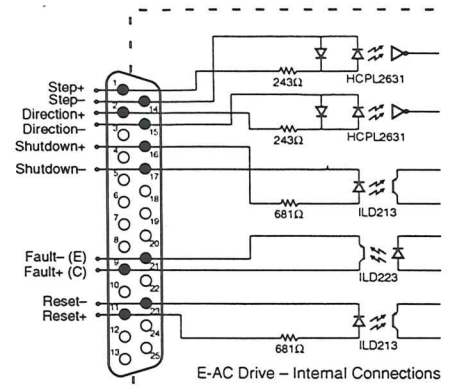
Default Position: Drive ships from factory with all DIP switches in the OFF position.



E-AC Drive

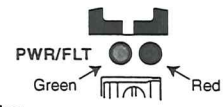


25 Pin DRIVE/O Connector



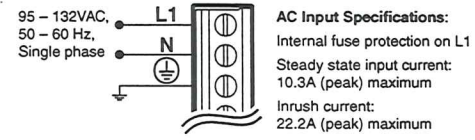
Input/Output Specifications - see back cover

LEDs

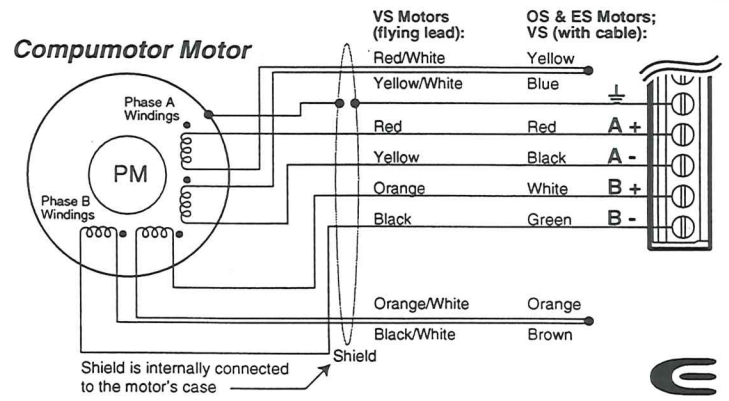


LED Color:
Green **Red** **Indicated State:**
 Off Off No AC power applied
 On Off AC power applied
 On On Fault Condition:
 • drive overtemperature; or
 • short circuit detected

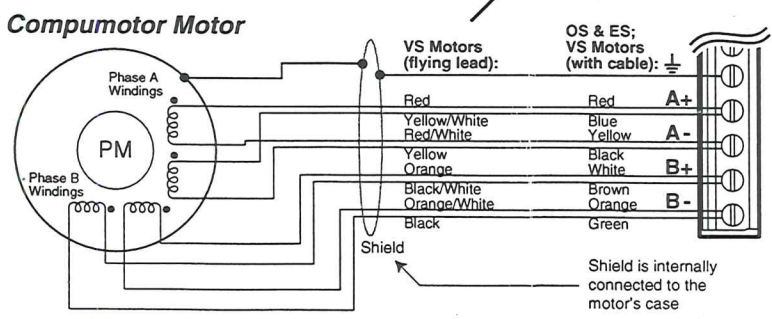
AC Input Connections



Motor Output Connections - Series



Motor Output Connections - Parallel



SW1		SW2		Current (amps)	Series = S	Parallel = P		
1	2	3	4	5	6	7	8	
Auto Test	1	2	3	4	5	6	7	8
Disabled	off	off	off	off	off	off	off	0.02
Enabled	on	off	off	off	off	off	off	0.13
1 rps for 2 revs in each direction until disabled								0.24
Resolution	2	3	4	5	6	7	8	
25,000	off	off	off	off	off	off	off	0.35
50,800	on	off	off	off	off	off	off	0.46
50,000	off	on	off	off	off	off	off	0.58
36,000	on	on	off	off	off	off	off	0.69
25,600	off	off	on	off	off	off	off	0.80
25,400	on	off	on	off	off	off	off	0.91
21,600	off	on	on	off	off	off	off	1.03
20,000	on	on	on	off	off	off	off	1.14
18,000	off	off	off	on	off	off	off	1.25
12,800	on	off	off	on	off	off	off	1.36
10,000	off	on	off	on	off	off	off	1.48
5,000	on	on	off	on	off	off	off	1.59
2,000	off	off	on	on	off	off	off	1.70
1,000	on	off	on	on	off	off	off	1.82
400	off	on	on	on	off	off	off	1.93
200	on	on	on	on	off	off	off	2.04
200 & 400 not affected by waveform settings								2.15
Waveform	6	7						2.27
Pure sine	off	on						2.38
-4% 3rd harmonic	off	off						2.49
-6% 3rd harmonic	on	off						2.60
-8% 3rd harmonic	on	on						2.72
Auto Standby	8							2.83
Full Current	off							2.94
50% Current Reduction	on							3.05
								3.16
								3.28
								3.39
								3.50
								< 32 mH (all VS, OS, ES motors)
								32 - 64 mH
								> 64 mH
								> 64 mH
								Disabled
								Enabled

All Disabled

XYZ 6K4

R 6K4

All

Remove power before changing DIP switches

Hardware Installation Guide

E-AC DRIVE Hardware Installation Guide is available online in PDF form <http://www.compumotor.com> (part number 88-020292-01)



DIP Switches -

PAYNE

PANE

*OFF IS UP

Zeta Drive

off = F
on = 0

X Axis	57-83 Motor	25,000 Step	1	2	3	4	5	6	7	8	9	10	11	12	1 2 3 4 5 6
Y & Z Axis	57-51 Motor	25,000 Step	F	0	F	F	0	F	F	F	F	F	F	F	0 F F F F
R Axis	57-51 Motor	36,000 Step	F	0	F	F	0	F	F	0	F	F	F	F	0 F F F F

motor

6K4 1/2
old
6K4 1/2
old
6K4
old
OLD

X - AXIS
Y & Z AXIS
R AXIS
R AXIS OLD

SW1
ON
2,4,5
2,5
2,5,8,9
2,5

SW2
ON
1
1
1
1

*OFF IS UP

ZETA Drive
Installation Guide

MOTOR CABLE

CABLE

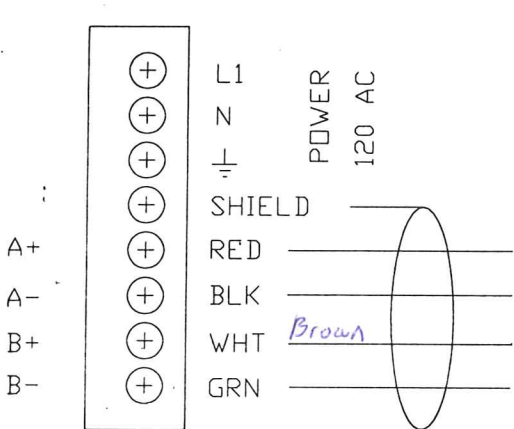
OEMZL4

MOTOR	CABLE	E-AC	Zeta
Yellow/Blue	Yellow NONE	Heat shrink	A center TAP
RED	RED RED	A+	A+
BLACK	BLACK BLK	A-	A-
Screw Terminal	Silver Braid Braid	EARTH	EARTH
White	Brown Brown	B+	B+
Green	Green org.	B-	B-
Orange/Brown	Orange	Heat Shrink	B center Tap

E-AC

Connector

ZETA



MOTOR

