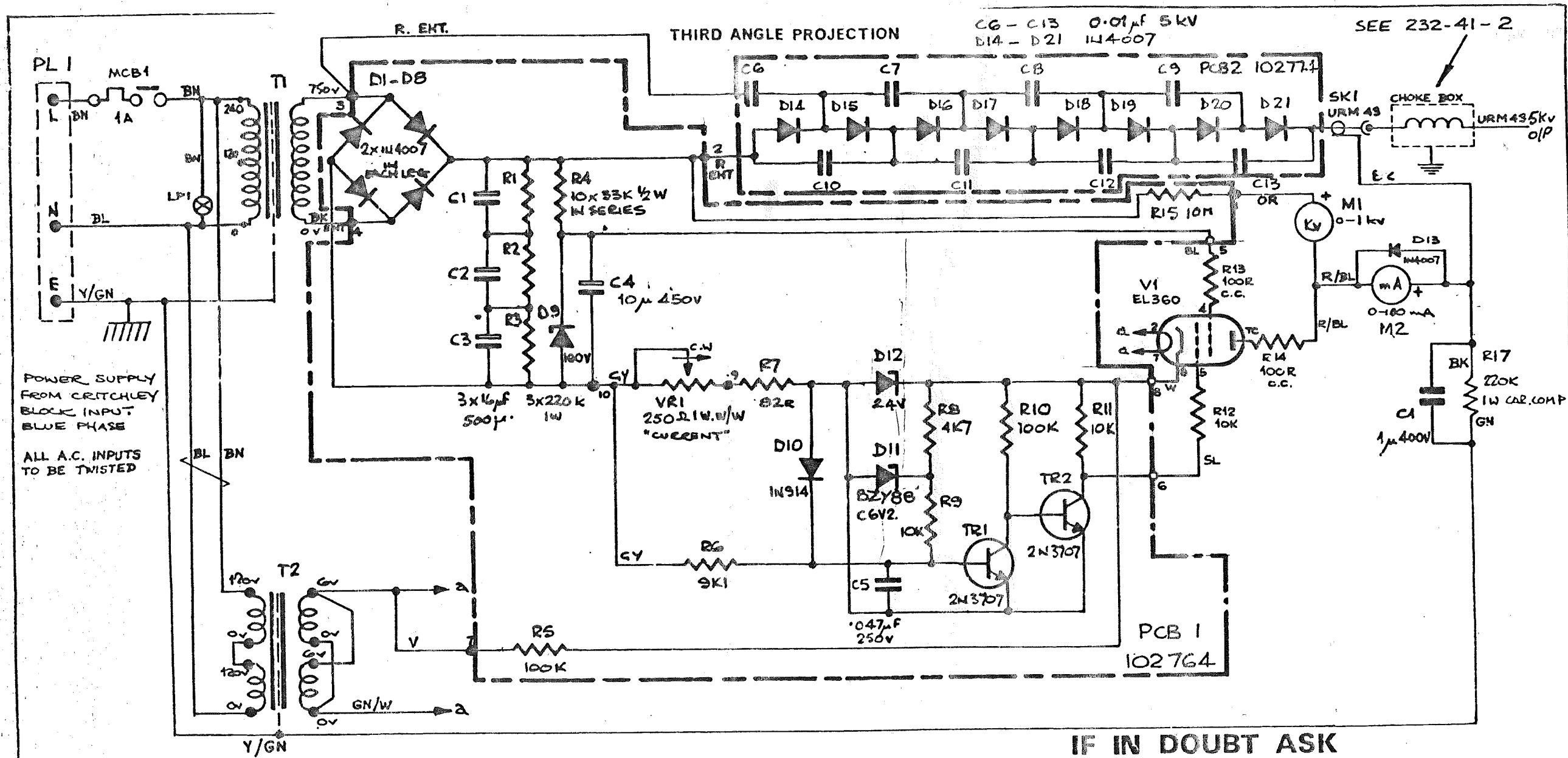


232-20-3



POWER SUPPLY FROM CRITCHLEY BLOCK INPUT. BLUE PHASE
ALL A.C. INPUTS TO BE TWISTED

IF IN DOUBT ASK

DIMENSIONS IN INCHES UNLESS OTHERWISE STATED.				REMOVE ALL BURRS AND SHARP EDGES			
CN 2267	21-11-85	9	ENG.	DO NOT SCALE DRG.		MATERIAL	
CN 1815	23.5.84	8	DRN.	TOLERANCES UNLESS OTHERWISE STATED		FINISH	
CN 1452	2.8.82	7	CHKD.	DEC. DIMS. ± .005 FRACT. DIMS. ± 1/64			
CN 1388	4.9.81	6	APPD.	SCALE			
CN 1309	7.7.80	5		VACUUM GENERATORS (HASTINGS) LTD.			
CN 529	18.4.73	2					
CN 2518	17.10.86	11	ORIGINAL	TITLE		DRAWING No.	
CN 2407	28.4.86	10	MODIFICATION	LIGHT SOURCE (ESCA III) (U.V.) SUPPLY		232-20-3	

H1232001A