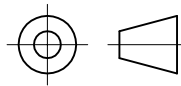
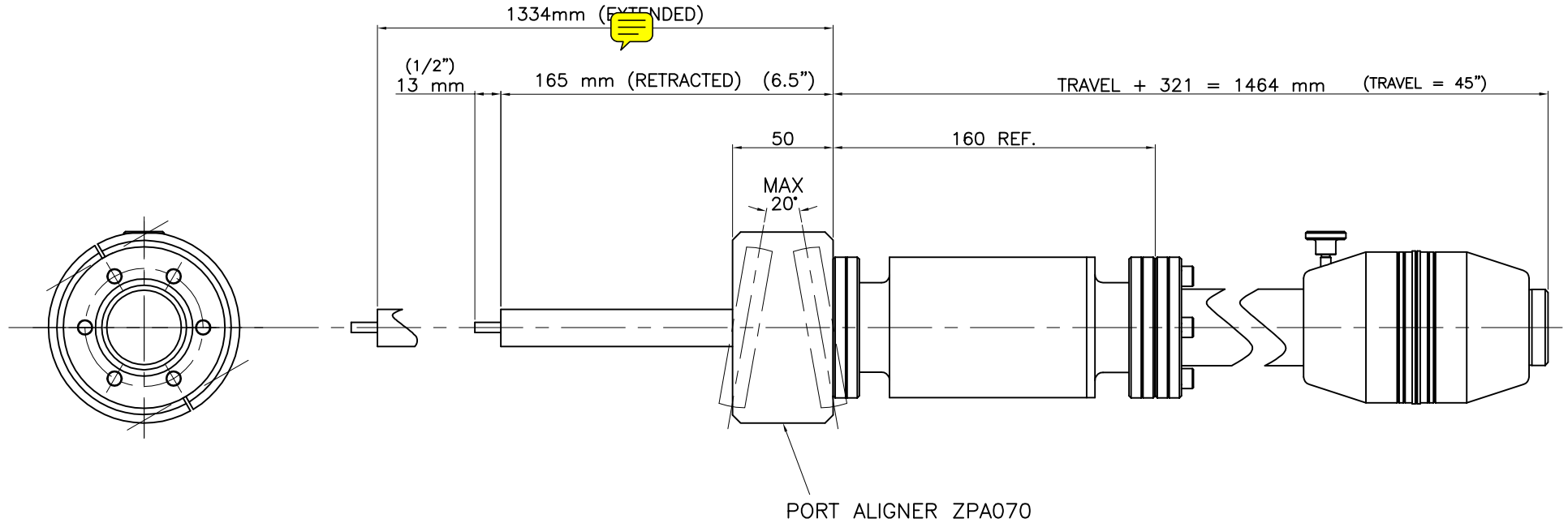


DO NOT SCALE DRG



THIS DRAWING IS PRODUCED ON CAD.



THIS DRAWING AND ANY INFORMATION OR DESCRIPTIVE MATTER SET OUT HEREIN IS THE PROPERTY OF VACUUM GENERATORS AND MUST NOT BE REPRODUCED, COPIED, IN WHOLE OR PART OR USED FOR MANUFACTURING, TENDERING, OR FOR ANY OTHER PURPOSE WITHOUT THEIR WRITTEN PERMISSION.

					DIMENSIONS IN MILLIMETRES UNLESS OTHERWISE STATED		REMOVE ALL BURRS AND SHARP EDGES				VACUUM GENERATORS Maunsell Road, Hastings, East Sussex TN38 9NF Tel: (UK 01424: Int +44124) 851291 Fax: (UK 01424: Int +44124) 851489 Web site: <a href="http://www.vacgen.com">http://www.vacgen.com</a>	
					50 MILLIMETRES FULL SCALE		SCALE NTS					
					MATERIAL— 304 S/S BODY, ALLY. HANDLE		TOLERANCE UNLESS OTHERWISE STATED DIM'N 0 ± 1mm DIM'N 0.0 ± 0.2mm DIM'N 0.00 ± 0.1mm		ANGLE ± 0° 30' SURFACE FINISH 1.6u		DRG No _ML03	
					FINISH— UHV CLEAN		DRAWN BY MJD		TITLE MLRD 45" TRAVEL + ALIGNER			
REVISION	DATE	ISSUE	REVISION	DATE	ISSUE	6.5" WAS 7.5" MJD		02 NOV 05		A		
			ORIGINAL ©Vacuum Generators		04/10/05	1						