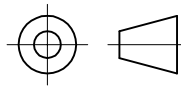
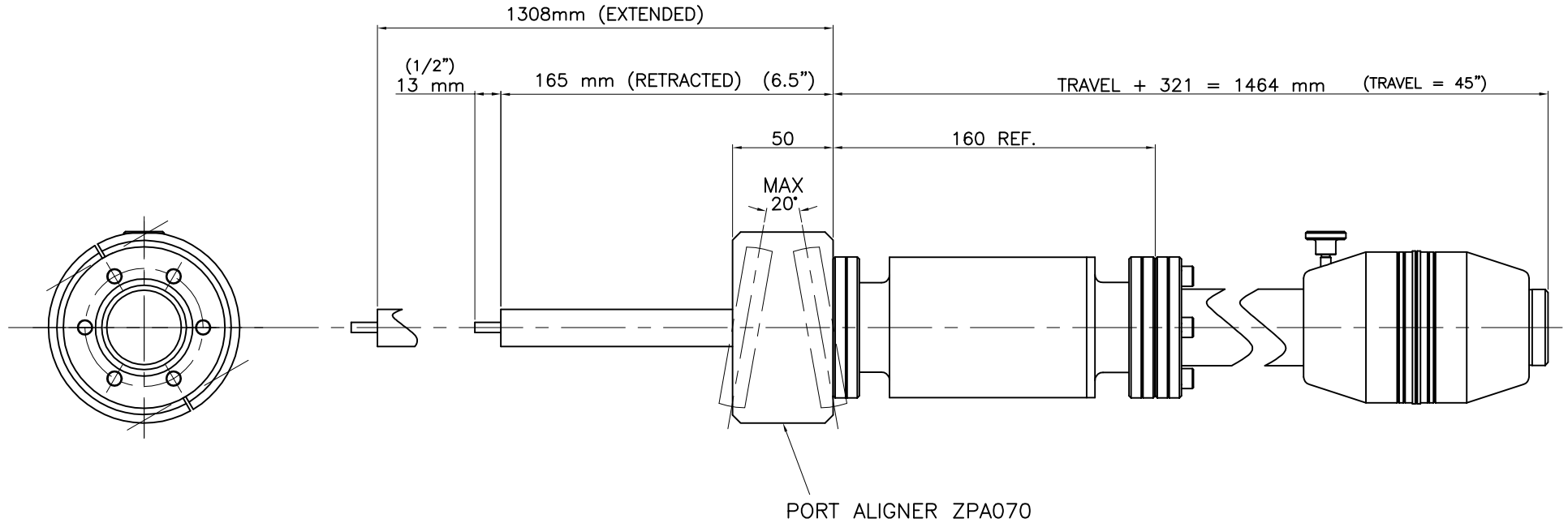


DO NOT SCALE DRG



THIS DRAWING IS PRODUCED ON CAD.



THIS DRAWING AND ANY INFORMATION OR DESCRIPTIVE MATTER SET OUT HEREON IS THE PROPERTY OF VACUUM GENERATORS AND MUST NOT BE REPRODUCED, COPIED, IN WHOLE OR PART OR USED FOR MANUFACTURING, TENDERING, OR FOR ANY OTHER PURPOSE WITHOUT THEIR WRITTEN PERMISSION.

					DIMENSIONS IN MILLIMETRES UNLESS OTHERWISE STATED		REMOVE ALL BURRS AND SHARP EDGES				VACUUM GENERATORS Maunsel Road, Hastings, East Sussex TN38 9NF Tel: (UK) 01424: Int +44124) 851291 Fax: (UK) 01424: Int +44124) 851489 Web site: http://www.vacgen.com		
							SCALE NTS						
					MATERIAL— 304 S/S BODY, ALLY. HANDLE		TOLERANCE UNLESS OTHERWISE STATED DIM'N 0 ± 1mm DIM'N 0.0 ± 0.2mm DIM'N 0.00 ± 0.1mm		ANGLE ± 0° 30' SURFACE FINISH 1.6u		DRG No _ML03		
					FINISH— UHV CLEAN		DRAWN BY MJD		TITLE MLRD 45" TRAVEL + ALIGNER				A 2
REVISION	DATE	ISSUE	REVISION	DATE	ISSUE	ORIGINAL ©Vacuum Generators 04/10/05 1							
			1308 WAS 1334	24 NOV 05	B								
			6.5" WAS 7.5"	02 NOV 05	A								