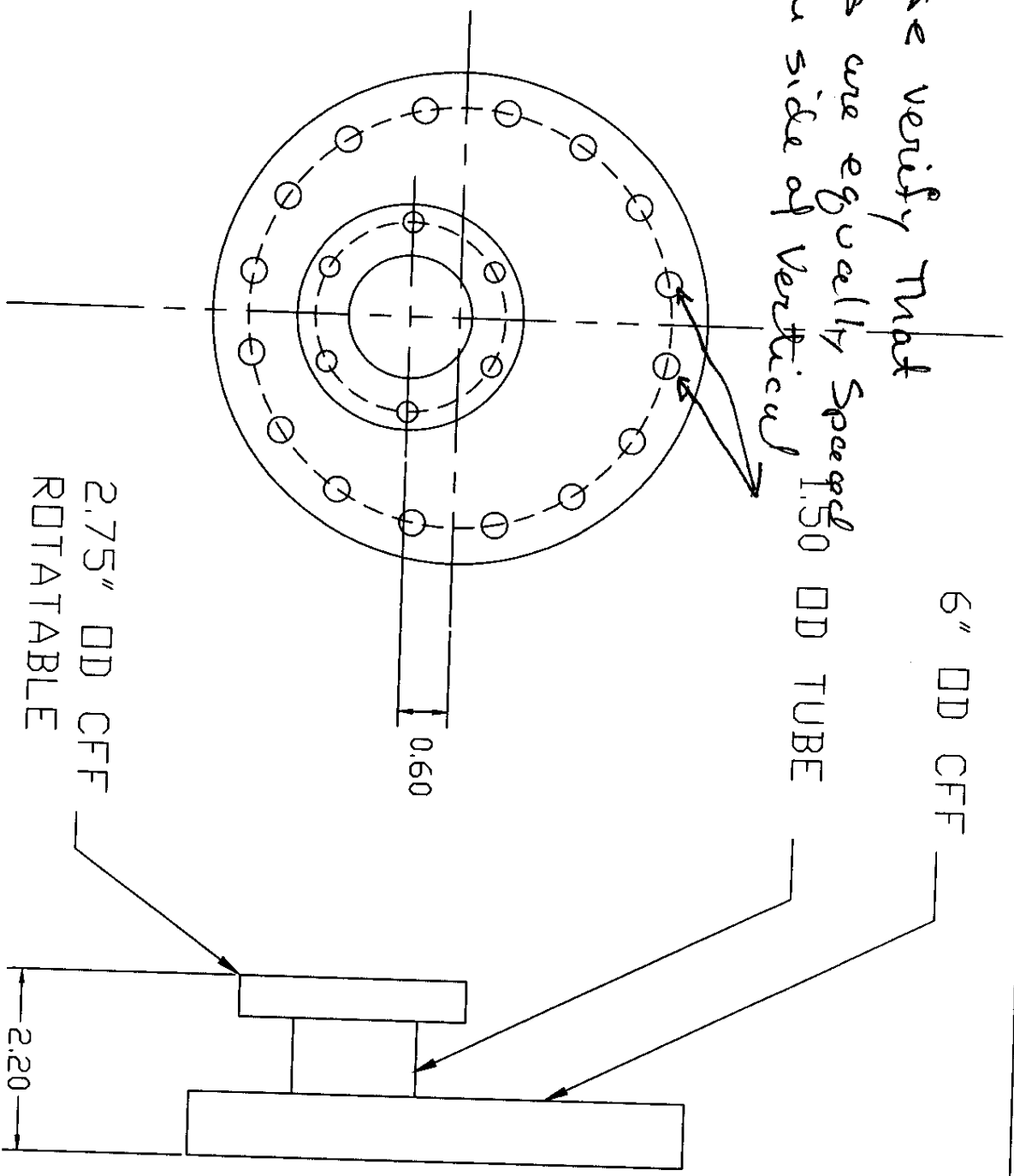


To Bruce Brunswick 626-564-9672

Please verify that
 Holes are equally spaced
 each side of vertical
 6" OD CFF
 1.50 OD TUBE



2.75" OD CFF
 ROTATABLE

TOLERANCE UNLESS NOTED LINEAR .XX = +/- .01 .XXX = +/- .005 ANGLES XXX. = +/- .30' XXXX +/- .6'		FINISH UNLESS NOTED 32 MICRONDICES BREAK CORNERS .020 REMOVE ALL BURS		APPROVALS DRAWN BY: RA. CHANEY CHECKED: APPROVED:		DATE 4/22/98		SERVICE PHYSICS INC. P: 650-948-6142 F: 650-948-6143	
MATERIAL:		FINISH UNLESS NOTED 32 MICRONDICES BREAK CORNERS .020 REMOVE ALL BURS		APPROVALS DRAWN BY: RA. CHANEY CHECKED: APPROVED:		DATE 4/22/98		SERVICE PHYSICS INC. P: 650-948-6142 F: 650-948-6143	
FINISH:		BREAK CORNERS .020 REMOVE ALL BURS		APPROVALS DRAWN BY: RA. CHANEY CHECKED: APPROVED:		DATE 4/22/98		TITLE: FLANGE, ADP, S-PROBE	
QUANTITY:		REMOVE ALL BURS		APPROVALS DRAWN BY: RA. CHANEY CHECKED: APPROVED:		DATE 4/22/98		DRAWING NUMBER: 99017	
								SCALE: 1:2	