



Reference 600™
Potentiostat/Galvanostat/ZRA
Operator's Manual



Copyright© 2012 Gamry Instruments, Inc.
Revision 6.0
August 27, 2012
988-00006

If You Have Problems

Please visit our service and support page at www.gamry.com/service-support/. This page contains information on installation, software updates, and training. It also contains links to the latest available documentation. If you are unable to locate the information you need from our website, you can contact us via email using the link provided on our website. Alternatively, you can contact us one of the following ways:

Internet	www.gamry.com/service-support/
Telephone	(215) 682-9330 9:00 AM - 5:00 PM US Eastern Standard Time (877) 367-4267 Toll Free US & Canada Only

Please have your instrument model and serial numbers available, as well as any applicable software and firmware revisions.

If you have problems in installation or use of a system containing a Reference 600, it would be helpful if you called from a phone next to your computer, where you can type and read the screen while talking to us.

We will be happy to provide a reasonable level of free support for registered users of the Reference 600 Potentiostat/Galvanostat/ZRA. Reasonable support includes telephone assistance covering the normal installation, use and simple customization of a computerized system containing a Reference 600 connected to a Windows™ compatible computer.

A service contract that extends both the hardware warranty and software update period is available at an additional charge. Software updates do not include software enhancements offered to our customers at additional cost.

Enhancements to the Reference 600 and Gamry's standard applications software that require significant engineering time on our part can be performed on a contract basis. Contact us with your requirements.

Limited Warranty

Gamry Instruments, Inc. warrants to the original user of this product that it shall be free of defects resulting from faulty manufacture of the product or its components for a period of two years from the original shipment date of your purchase.

Gamry Instruments, Inc. makes no warranties regarding either the satisfactory performance of the Reference 600 Potentiostat/Galvanostat/ZRA including the software provided with this product or the fitness of the product for any particular purpose. The remedy for breach of this Limited Warranty shall be limited solely to repair or replacement, as determined by Gamry Instruments, Inc., and shall not include other damages.

Gamry Instruments, Inc. reserves the right to make revisions to the system at any time without incurring any obligation to install same on systems previously purchased. All system specifications are subject to change without notice.

There are no warranties which extend beyond the description herein. This warranty is in lieu of, and excludes any and all other warranties or representations, expressed, implied or statutory, including merchantability and fitness, as well as any and all other obligations or liabilities of Gamry Instruments, Inc; including but not limited to, special or consequential damages.

This Limited Warranty gives you specific legal rights and you may have others, which vary from state to state. Some states do not allow for the exclusion of incidental or consequential damages.

No person, firm or corporation is authorized to assume for Gamry Instruments, Inc., any additional obligation or liability not expressly provided herein except in writing duly executed by an officer of Gamry Instruments, Inc.

Disclaimers

Gamry Instruments, Inc. cannot guarantee that the Reference 600 Potentiostat/Galvanostat/ZRA will work with all computer systems, operating systems, and third party software applications hardware/software.

The information in this manual has been carefully checked and is believed to be accurate as of the time of printing. However, Gamry Instruments, Inc. assumes no responsibility for errors that might appear.

Copyrights

Reference 600™ Potentiostat/Galvanostat/ZRA Operator's Manual -
copyright© 2007-2012, Gamry Instruments, Inc., all rights reserved.

Gamry Framework - copyright© 1989-2012, Gamry Instruments, Inc., all rights reserved.

Reference 600™, PC4™, PCI4™, ECM8™, Interface 1000™, Gamry Framework™, DC105™, EIS300™, and Gamry™ are trademarks of Gamry Instruments, Inc.

No part of this document may be copied or reproduced in any form without the prior written consent of Gamry Instruments, Inc.

Table of Contents

If You Have Problems	i
Limited Warranty.....	ii
Disclaimers.....	iii
Copyrights	iii
Chapter 1 -- Safety Considerations	1-1
Inspection.....	1-1
Product Safety	1-1
AC Mains Connection to the Power Brick.....	1-1
Grounding in the Reference 600	1-2
Operation with Earth Grounded Cells and Auxiliary Apparatus.....	1-2
Temperature and Ventilation.....	1-3
Defects and Abnormal Stresses.....	1-3
Environmental Limits.....	1-4
Cleaning.....	1-4
Service	1-4
RFI Warning	1-4
Electrical Transient Sensitivity.....	1-5
CE Compliance.....	1-5
RoHS Compliance	1-5
Chapter 2 -- Introduction.....	2-1
About this Manual	2-1
About the Reference 600.....	2-1
Notational Conventions.....	2-2
Chapter 3 -- Instrument Circuitry	3-1
Reference 600 Schematic/Block Diagrams.....	3-1
Chapter 4 -- Installation	4-1
Initial Visual Inspection	4-2
Physical Location	4-2
Computer Requirements.....	4-3
Quick Start Guide for System Installation.....	4-3
Software Installation.....	4-3
Reboot your Computer after Software Installation.....	4-3
Power Cord and Power Connection	4-4
Power Up Test.....	4-5
USB Cabling	4-5
Front Panel USB LED	4-6
Cell Cable Installation	4-6
Multiple Potentiostat Systems.....	4-6
1 st Time Device Installation in Windows XP.....	4-6
Running the Framework.....	4-8
Framework Device Status Bar.....	4-9
Gamry Instrument Manager	4-10
Authorization Codes and Label	4-11
Firmware Update.....	4-13
Calibration.....	4-15
Separate Calibration for Each Reference 600 Cable Type.....	4-15
DC and AC Calibration	4-15
Low I Range DC Calibration.....	4-16
Chapter 5 -- Cell Connections.....	5-1

Normal Cell Connections	5-1
ZRA Mode Cell Connections	5-2
Membrane Cell Connections	5-3
Chapter 6 -- Panel Indicators and Connectors	6-1
Front Panel	6-1
Cell Connector.....	6-1
The Power LED.....	6-1
The USB LED.....	6-1
Cell LED	6-2
Overload LED.....	6-2
Rear Panel	6-3
Power In Jack.....	6-3
Power Switch.....	6-3
Chassis Ground.....	6-4
USB Port.....	6-4
Thermocouple Input	6-4
Misc I/O Connector	6-5
I Monitor BNC.....	6-5
E Monitor BNC	6-6
Ext. Sig. In BNC	6-6
Sig Gen Out BNC	6-7
Aux In BNC	6-7
Chapter 7 -- Stability in Potentiostat Mode	7-1
Capacitive Cells and Stability.....	7-1
Improving Potentiostat Stability	7-2
Chapter 8 -- Measurement of Small Signals.....	8-1
Overview.....	8-1
Measurement System Model and Physical Limitations.....	8-1
Johnson Noise in Z_{cell}	8-2
Finite Input Capacitance	8-3
Leakage Currents and Input Impedance.....	8-3
Voltage Noise and DC Measurements	8-4
Shunt Resistance and Capacitance.....	8-5
Hints for System and Cell Design.....	8-5
Faraday Shield	8-5
Avoid External Noise Sources	8-6
Cell Cable Length and Construction.....	8-6
Lead Placement	8-6
Cell Construction	8-7
Reference Electrode	8-7
Instrument Settings.....	8-7
EIS Speed	8-7
Ancillary Apparatus	8-7
Floating Operation	8-7
Appendix A -- Reference 600 Specifications	9-1
Appendix B -- Reference 600 Cell Connector	10-1
Appendix C -- Misc I/O Connector	11-1
Appendix D -- Auxiliary A/D Input Characteristics.....	12-1
Jumper Identification	12-1
Input Impedance Selection.....	12-2
Bandwidth Selection	12-3
Aux A/D Specifications.....	12-3

Function Call to Set the Aux A/D BNC Characteristics	12-3
Appendix E – CE Certificate	13-1
Declaration of Conformity.....	13-1
Certificate of Conformance	13-2
Comprehensive Index	14-1

Chapter 1 -- Safety Considerations

Your Reference 600 Potentiostat/Galvanostat/ZRA has been supplied in a safe condition. This chapter of the Reference 600 Operator's Manual contains some information and warnings that you must follow to insure continued safe operation of the Reference 600.

Inspection

When you receive your Reference 600 Potentiostat/Galvanostat/ZRA you should inspect it for evidence of shipping damage. If any damage is noted, please notify Gamry Instruments Inc. and the shipping carrier immediately. Save the shipping container for possible inspection by the carrier.

WARNING

A Reference 600 that has been damaged in shipment can be a safety hazard. Do not operate damaged apparatus until a qualified service technician has verified its safety. Tag a damaged Reference 600 to indicate that it could be a safety hazard.

Product Safety

The Reference 600 has been designed, tested and certified to meet the requirements of EN 61010, *Safety requirements for **electrical equipment** for measurement, control, and laboratory use*. As defined in this standard, it is a Category II apparatus, with any "hazardous live voltages" protected by "reinforced insulation".

Most of the Reference 600 circuitry operates at voltages low enough to be considered safe. The Reference 600 contains a limited amount of internal circuitry that is at "hazardous live" voltages as defined in EN 61010 (the standard mentioned above). "Reinforced insulation" (again defined in EN 61010) is used to reduce the risk of electrical shock due to this "hazardous live" voltage.

The majority of the Reference 600's circuitry does not contain voltages higher than 30 Volts DC. As a generalization, input and output voltages in the Reference 600 are limited to 24 volts. This voltage level is considered safe.

The "AC Adapter" supplied with the Reference 600 is certified under EN 60950. The AC Adapter converts the AC mains voltage to 24 volts DC, which is used to power the Reference 600.

You should always use the AC adapter (power brick) supplied with your Reference 600 to supply DC power to the instrument.

Warning

Do not use a DC power source other than the AC adapter model provided with your Reference 600. Other replacements may void the performance and/or safety characteristics of the Reference 600.

AC Mains Connection to the Power Brick

The Reference 600 does not connect directly to an AC Mains supply. Instead, the mains are connected to desktop AC adapter (power brick), which outputs 24 volts DC and in turn powers the Reference 600.

NOTE

The Reference 600's AC Adapter is rated for operation from 100 to 240 volts AC, 47 to 63 Hz. It should therefore be useful throughout the world.

The Reference 600 is normally provided with an AC line cord suitable for your location. This AC line cord connects the AC mains to the AC power adapter. If your Reference 600 has been provided without an AC line cord, or a cord that is not compatible with your local AC mains socket, obtain a line cord certified for use in your country. Contact your local Gamry Representative or Email to techsupport@gamry.com if you are uncertain what AC line cord to use.

Grounding in the Reference 600

The circuitry and the metal case of the Reference 600 are not connected to an earth ground. If they were connected to earth ground, it would compromise the Reference 600's ability to make measurements in electrochemical cells that contain earth grounded metal. A few examples of such cells include autoclaves, metallographic stress apparatus, and detectors for capillary electrophoresis.

Most electrochemical cells are isolated from earth ground, so isolation of the Reference 600 from earth is not required. In these cases, connection of the Reference 600 chassis to an earth ground may lower the noise seen in an electrochemical test. A Chassis Ground binding post on the rear panel of the Reference 600 makes for easy implementation of this connection. Simply run a wire from this binding post to a suitable source of earth ground. A black 1.2-meter wire is provided with the Reference 600 to facilitate this connection.

NOTE

Sources of earth ground include:

- **Most metal water pipes,**
- **the chassis of most electronic apparatus (which are generally earth grounded),**
and
- **the protective ground terminal of an AC Mains power plug.**

We recommend that you discuss grounding with an electrical or electronics professional prior to making this earth ground connection.

Note this connection of the Reference 600 to an earth ground is not a "Protective Earth Ground" as defined in EN 61010. The Reference 600 is safe in the absence of this connection.

This binding post is not intended for any use other than connecting the Reference 600 to an earth ground to improve shielding against noise. Connecting this binding post to a hazardous voltage can create a significant safety hazard.

Operation with Earth Grounded Cells and Auxiliary Apparatus

As described above, the Reference 600 circuitry is isolated from earth ground, allowing it to make measurements on cells that include an earth ground. This ground isolation is often called floating operation. Cells with earth ground include many autoclaves, pipelines and storage tanks, and many fuel cell systems.

Connection of the Reference 600 to auxiliary apparatus will often earth ground the Reference 600 destroying its ability to float and make measurements on earth grounded cells. Connection of the Monitor BNCs to an oscilloscope is an example where the instrument is earthed.

The User I/O connector can be connected to earth grounded apparatus without earth grounding the Reference 600, if the cabling is done carefully. The Metal Shell on the Reference 600 User I/O Connector is connected to the instrument's chassis which is a Floating ground. In a system that needs isolation from earth ground, the shield of a User I/O cable must not connect the D-connector's metal shell to earth ground. All User I/O signals should be referenced to pin 6 of the D-connector, which is isolated ground on the Reference 600.

Caution

Floating operation of the Reference 600 can be compromised by improper cabling to the User I/O Connector. We do not recommend use of standard 15-pin shielded cables with this connector. Custom cables with the shield connected to pin 6 of the D-connector are preferred.

WARNING

Do not connect the chassis ground binding post to any voltage other than earth ground. An improper connection can create a safety hazard, which could result in personal injury or death.

The Reference 600 contains spark gap surge suppressors that limit the voltage difference between the Reference 600's chassis ground and earth ground to about 90 volts. These surge suppressors are not part of the safety mechanisms in the Reference 600. Instead they are present to limit the possibility of improper instrument operation or instrument damage due to electrostatic discharge (static electricity) and other surge events such as lightning.

Temperature and Ventilation

Your Reference 600 Potentiostat/Galvanostat/ZRA was designed for indoor use at ambient temperatures between 0°C and 45°C.

The Reference 600 uses forced air-cooling to keep its electronic components within their recommended operating temperature range. Air is drawn into the Reference 600 chassis through slots located on the sides of the chassis near the front panel. The air exits through the two fans at the rear of the unit.

Caution

Do not block the airflow into or out of the Reference 600 chassis. While the circuitry should suffer no damage due to excessive heat, the Reference 600 enclosure may become uncomfortably hot to the touch if insufficient air flows through the chassis. Running the Reference 600 without adequate cooling could shorten the time to failure of some of the circuitry.

Be careful when operating the Reference 600 in an enclosed space (such as an enclosed relay rack or NEMA enclosure). The temperature within the enclosure must not exceed 45°C. You may need to provide ventilation holes or even forced air-cooling for the enclosed space if excessive temperature rise occurs.

Defects and Abnormal Stresses

You should treat your Reference 600 as potentially hazardous if any of the following is true of the unit:

- it shows visible damage,
- it does not operate properly,
- it has been stored for a long period of time under unfavorable conditions,
- it has been dropped or subjected to severe transport stress,
- it has been subjected to environmental stress (corrosive atmosphere, fire, etc.).

Do not use your Reference 600 or any other apparatus if you think it could be hazardous. Have it checked by qualified service personnel.

Environmental Limits

Note that there are environmental limit conditions on the storage, shipping and operation of this equipment. The Reference 600 has not been designed for outdoor use.

Storage

Ambient Temperature	-40 °C to 75 °C
Relative Humidity	Maximum 90% non-condensing

Shipping

Same as storage plus Acceleration	Maximum 30 G
--------------------------------------	--------------

Operation

Ambient Temperature	0 °C to 45 °C
Relative Humidity	Maximum 90% non-condensing

Warning

The Reference 600 is not designed for operation in conditions where liquid water may enter the chassis, or water vapor may condense within the chassis. Operation of a Reference 600 that has water within the chassis can create a safety hazard, which could result in personal injury or death.

Cleaning

Disconnect the Reference 600 from all power sources prior to cleaning.

Use a cloth lightly dampened with either clean water or water containing a mild detergent to clean the outside of the Reference 600 enclosure. Alternatively, you can use isopropyl alcohol. Do not use a wet rag or allow fluid to enter the Reference 600 enclosure. Do not immerse the Reference 600 in any type of cleaning fluid (including water). Do not use any abrasive cleaners.

Service

Your Reference 600 Potentiostat/Galvanostat/ZRA has no user serviceable parts inside. You should refer all service to a qualified service technician.

Warning

The Reference 600 must not be operated with any cover or panel on the chassis open. Dangerous voltages may present at several points within the Reference 600 chassis, including PC board traces. Always remove the power connection before opening the Reference 600 case.

RFI Warning

Your Reference 600 Potentiostat/Galvanostat/ZRA generates, uses, and can radiate radio frequency energy. The radiated levels are low enough that the Reference 600 should not create an interference problem in most industrial laboratory environments.

The Reference 600 has been tested for both radiated and conducted RF interference and has been found to be in compliance with FCC Part 18 and EN 61326:1998—*Electrical equipment for measurement, control, and laboratory use— EMC Requirements*.

Electrical Transient Sensitivity

Your Reference 600 Potentiostat/Galvanostat/ZRA was designed to offer reasonable immunity from electrical transients, including transients on the incoming AC Mains supply and Electrostatic Discharge. It has been tested for compliance with EN 61326:1998—*Electrical equipment for measurement, control, and laboratory use— EMC Requirements* describing acceptable limits for Electrical Transient susceptibility in Laboratory Test equipment. The Reference 600 is not rated for continuous use when subject to ESD events. It should suffer no permanent damage when subject to the standard ESD events defined in EN61326, but may cease normal operation until it is powered down and restarted.

In severe cases, the Reference 600 could malfunction as a result of electrical transients such as a static discharge. If you are having problems in this regard, the following steps may help:

If the problem is static electricity (sparks are apparent when you touch the Reference 600 or it's cables):

- Placing your Reference 600 on a static control work surface may help. Static control work surfaces are now generally available from computer supply houses and electronics tool suppliers. An antistatic floor mat may also help, particularly if a carpet is involved in generating the static electricity.
- Air ionizers or even simple air humidifiers can reduce the voltage available in static discharges.

If the problem is AC power line transients (often from large electrical motors near the Reference 600):

- Try plugging your Reference 600 into a different AC power branch circuit.
- Plug your Reference into a power line surge suppressor. Inexpensive surge suppressors are now generally available because of their use with computer equipment.

Contact Gamry Instruments, Inc. if these measures do not solve the problem.

CE Compliance

The European Community has instituted standards limiting radio frequency interference emitted by electronic devices, setting limits for susceptibility of apparatus to RF energy and transient events, and mandating safety requirements. Gamry Instruments, Inc. has designed and tested the Reference 600 to comply with these standards.

The relevant CE regulations include EN 61010 and EN 61326.

RoHS Compliance

The Reference 600 has been built using lead free components and lead free solder. It is in compliance with the European RoHS initiative.

Chapter 2 -- Introduction

About this Manual

This manual covers the installation, safety, and use of the Gamry Instruments Reference 600 Potentiostat/Galvanostat/ZRA.

This manual describes use of a Reference 600 with Revision 6.0 (and later revisions) of the Gamry Framework software. It is equally useful when setting up a newly purchased potentiostat or modifying the setup of an older potentiostat for use with new software.

Chapter 1 was an in-depth discussion of safety issues. This chapter describes this manual and gives a brief overview of the Reference 600 features. Chapter 3 is a description of the electronics circuitry in the Reference 600. Chapter 4 contains Reference 600 installation instructions. Chapter 5 describes cell cable connections and Chapter 6 describes the Reference 600's Front and Rear Panels. Chapter 7 covers the difficult issues of potentiostat stability and approaches to prevent oscillation. Chapter 8 discusses the realities of low current, high impedance measurements.

You will find dry technical material such as specifications and connector pin-outs in the Appendices.

This manual does not discuss software installation or software operation in any detail.

Software support for the Reference 600 is described in the Gamry Framework's Help system.

All the Gamry Instruments' applications running under the Gamry Framework, control the Reference 600 via a PSTAT object. See the Framework Help System for information concerning PSTAT objects and their functions.

About the Reference 600

The Reference 600 Potentiostat is a research grade electrochemical instrument packaged in a small, easy to handle case. It offers measurement capabilities similar to instruments that are more than ten times its size and weight and more than two times its price. The Reference 600 can operate as a potentiostat, a galvanostat, or a ZRA (zero resistance ammeter).

Reference 600 features include:

- 11 decade current auto-ranging,
- electrical isolation from earth ground,
- current interrupt iR compensation, and
- both analog and digital filtering.

A sine wave generator on the Reference 600 allows its use for impedance measurements at frequencies up to 1 MHz. Data can be acquired at frequencies up to 300000 points per second, allowing Cyclic Voltammetry at scan rates of 1500 V/sec with 5 mV per point resolution.

A unique DSP (Digital Signal Processing) data acquisition mode allows the Reference 600 to reject noise, from the instrument itself, from the electrochemical cell, and from the lab environment. In many cases where other instruments require a cell in a Faraday shield to make quiet measurements, the Reference 600 can be used with the cell exposed on a bench top.

The Reference 600 offers an unprecedented combination of high speed, high sensitivity, and low noise. At the time this is being written, the Reference 600 offers the widest EIS performance area (in a plot of impedance versus frequency) of any Potentiostat. State-of-the-art analog components were used throughout the design. In all design decisions, performance weighed more heavily than product cost.

The Reference 600, like all Gamry potentiostats, requires a computer for its use. Unlike our older potentiostats, the Reference 600 interfaces to the computer through a USB connection. The USB connection has become truly universal, with USB ports found on all modern computers. Gamry's software currently supports up to 16 Reference 600 Potentiostats connected to one computer.

The Reference 600 is isolated from earth ground. It can therefore be used to make measurements on cells that contain an earth grounded metal. A few of the many examples of such systems are autoclaves, large metal storage tanks, stress apparatus, and capillary electrophoresis detectors.

Notational Conventions

In order to make this manual more readable we have adopted some notational conventions. These are used throughout this manual and all other Gamry Instruments manuals:

- Numbered lists. A numbered list is reserved for step-by-step procedures, with the steps always performed sequentially.
- Bulleted list. The items in a bulleted list, such as this one, are grouped together because they represent similar items. The order of items in the list is not critical.
- File names and folders. Inside paragraphs, references to computer files and Windows folders will be capitalized and placed within quotes, for example: "C:\MYGAMRYDATA\CV.DTA" and "GAMRY5.INI".

Chapter 3 -- Instrument Circuitry

Reference 600 Schematic/Block Diagrams

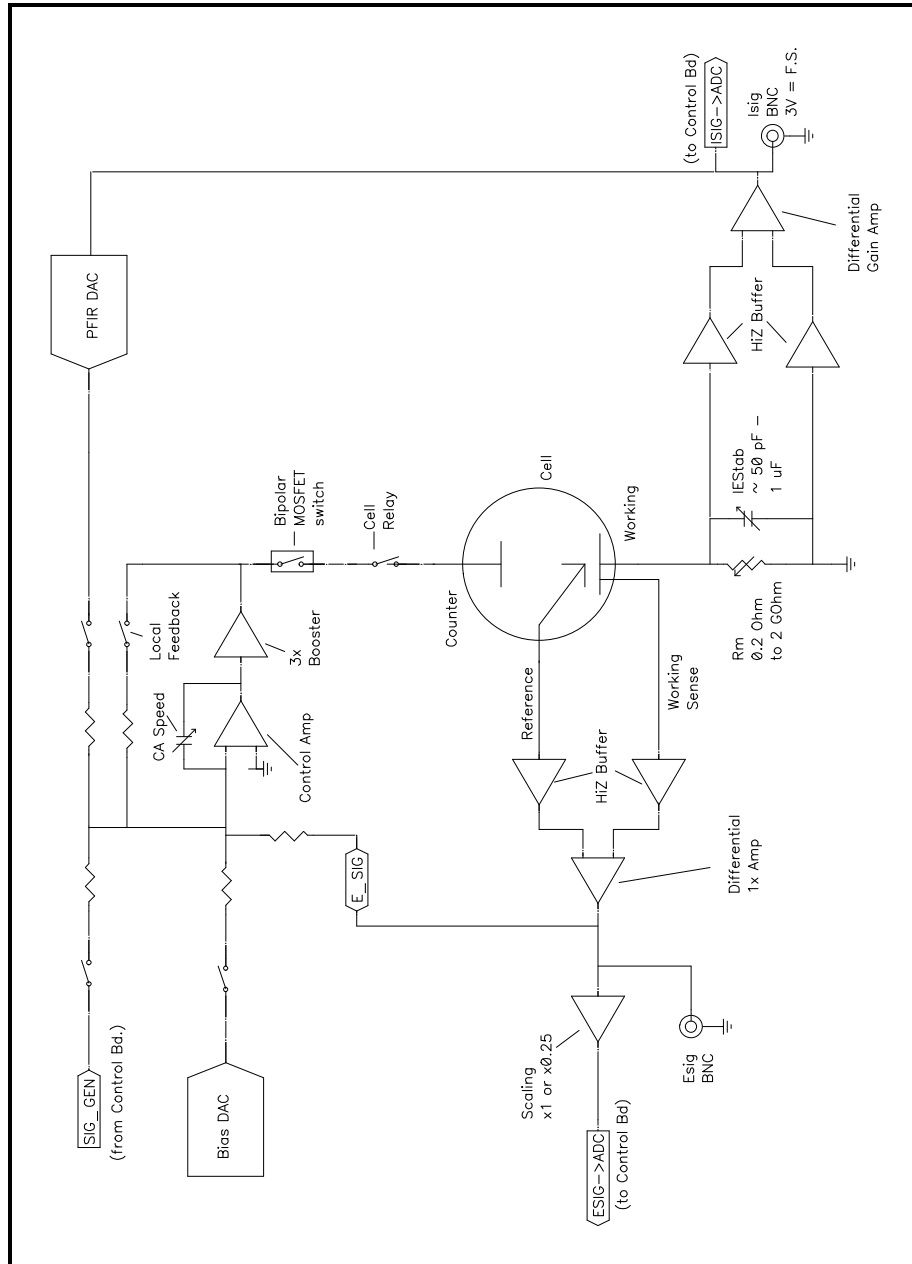
If you are not familiar with electronic schematics or potentiostats, you probably want to skip this chapter. This information is for expert use only and is not required for routine use of the Reference 600.

The following figures are partly schematic diagrams and partly block diagrams. They are intended to show the basic principles of the Reference 600 without the confusion of the full circuitry details. The complexity of the Reference 600 can be quite daunting – the Reference 600 circuit boards contain more than 2500 components connected by almost 2000 circuit nets!

The schematic/block diagram figures show:

- the potentiostat board in its potentiostatic control mode,
- the control board circuits for signal generation,
- the control board circuits for signal conditioning and A/D conversion,
- the Auxiliary ADC channel input switching,
- the processors in the Reference 600,
- DC-DC power conversion.

Figure 3-1
Reference 600 Potentiostat Board in Potentiostat Mode
Simplified Schematic/Block Diagram



Notes for Figure 3-1

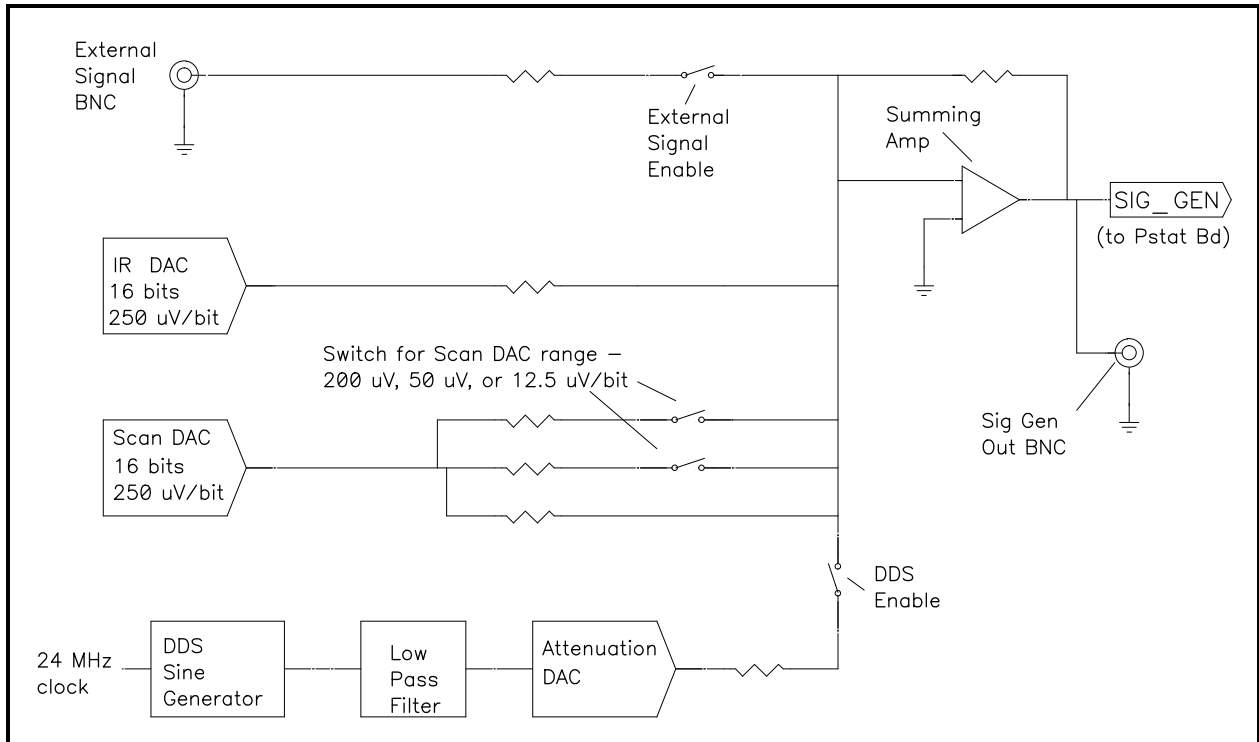
- Only Potentiostat Mode circuitry is shown in this figure. In this mode the voltage difference between the Reference and Working Sense leads (called Esig) is feedback into the control amplifier.

In Galvanostat Mode, the feedback is from Isig.

In ZRA mode, the feedback is from a differential amplifier measuring the difference between the Counter Sense and Working Sense leads of the cell cable. The counter sense circuitry is not shown. It is conceptually similar to the voltage sensing circuit that generates E_{sig} .

- The Bias DAC and PFIR (Positive Feedback IR compensation) DAC are set using a computer bus that is not shown.
- Switches are either reed relays or MOS switches as appropriate. All switches are under computer control (obviously, since the Reference 600 does not have a knob and dial front panel).
- All components shown as being variable (resistance R_m , capacitor IE_{stab} and capacitor CA_{speed}) are actually several fixed value components switched into the circuit. They are not continuously variable as implied in the figure.
- The monitor BNC connectors for I_{sig} and E_{sig} are lightly filtered using an RLC circuit.
- The programmable attenuator on E_{sig} prior to the ADC channel scales E_{sig} so that it is compatible with the A/D channel's ± 3 volt input range. The 0.25 gain setting allows the Reference 600 to measure potential signals slightly in excess of 10 volts (on a 12 volt full scale range). I_{sig} is gained to be 3 volts full-scale so it does not require a similar attenuation function.
- All the resistors summing voltages into the Control Amplifier input do not have values shown – their values depend on scaling factors too complex to discuss in this simplified diagram.
- Calibration components are not shown.
- Gamry's software can disconnect the signal generator from the Potentiostat. Once disconnected it can be used for other experimental control tasks.
- Overload protection and overload detection are not shown. Good engineering practice demands that any possible misconnection of the cell leads will not damage the instrument. This practice has been followed in the Reference 600 design.

Figure 3-2
Reference 600 Signal Generation Circuitry



Notes on Figure 3-2:

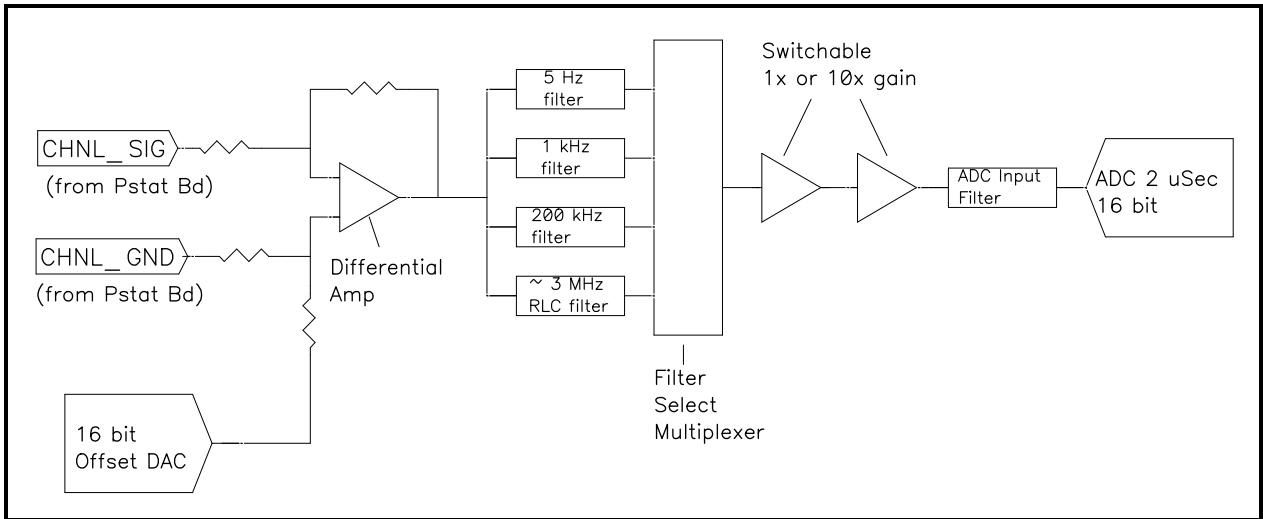
- All the resistors summing voltages into the Summing Amplifier input do not have values shown because their values depend on scaling factors too complex for this simplified diagram.
- The IR DAC has a ± 8 volt full-scale range.
- Calibration components are not shown.
- The DDS can generate fixed amplitude sine waves with frequencies between 1 MHz and 1 mHz. In practice, Gamry's EIS300 software uses the Scan DAC to generate sine signals if frequency is below 1 Hz.

The low pass filter removes high frequency distortion in the "raw" DDS output.

The attenuator scales the DDS. The maximum output signal is 4.096 volts peak-to-peak and the minimum is approximately 20 μ V peak-to-peak.

- The BNC connector for Sig Gen out is lightly filtered using an RLC circuit.

Figure 3-3
One A/D Signal Chain in the Reference 600



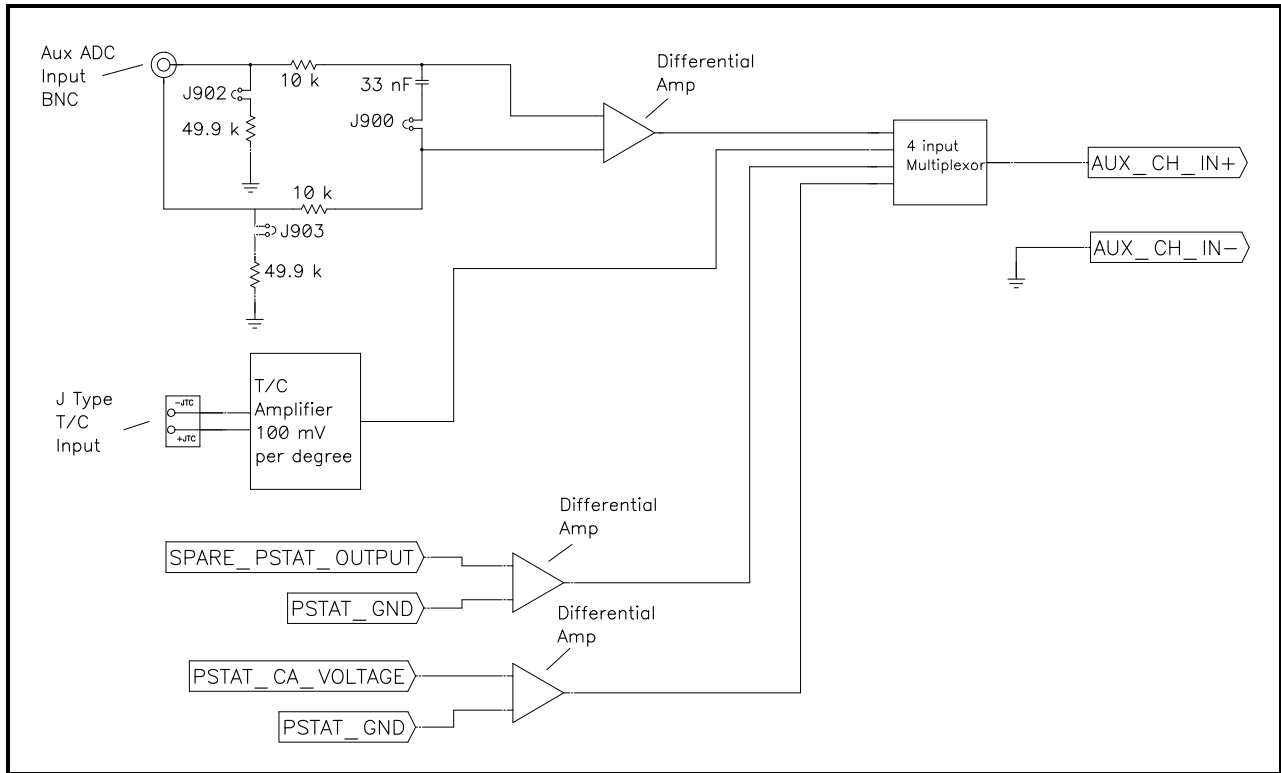
Notes for Figure 3-3:

- This diagram shows one of three identical ADC channels. One channel is dedicated to measurement of the potentiostat's current signal, another is used to measure the voltage, and the third is switched between a wide selection of possible signals.
- All three A/D converters are triggered simultaneously to start a conversion. This trigger and the pulse updating the Scan DAC voltage are under the control of a hardware state-machine. This insures that all waveform and data acquisition timing is tightly controlled and reproducible point-to-point.

By default, the data acquisition is synchronized with the 300 kHz power supply switching frequency, to reduce noise due to the power supply. Data acquisition times that are a multiple of 3.333 μ Sec will maintain this synchronization.

- All analog signals that cross from the Potentiostat Board to the Control Board or vice versa are received differentially as shown here.
- The 5 Hz, 1 kHz, and 200 kHz filters are 2-pole Butterworth filters. The 3 MHz RLC filter has an arbitrarily selected transfer function.
- All signal channel components are selected for optimal DC accuracy, low noise, and high bandwidth.

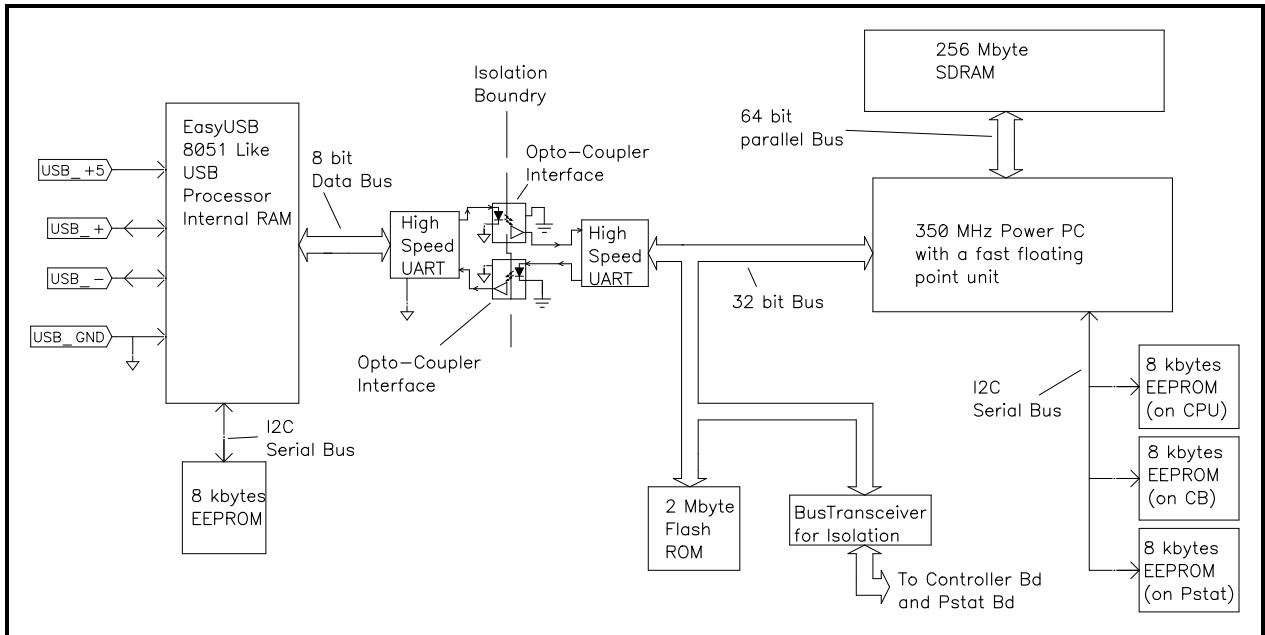
Figure 3-4
Aux Channel Input Switching



Notes for Figure 3-4:

- Two ADC Channels are dedicated to the potentiostat's voltage and current signals. This diagram shows the signals that can be connected to the third channel.
- The Aux ADC BNC input is a differential input. It is shipped configured for input impedance of 100 k Ω and unfiltered operation. Jumpers on the controller board allow it to be configured for high input impedance and to allow input filtering.
- The thermocouple input allows for connection of a J Type or K Type thermocouple, depending upon the date of manufacture. The type of thermocouple is shown next to the connector on the rear of the instrument. Note that this circuit must be calibrated to obtain reasonable accuracy. A section of the Reference 600 calibration procedure allows for user calibration of this input.
- The other two inputs to the Aux channel are reserved use in future Gamry Instruments' systems.

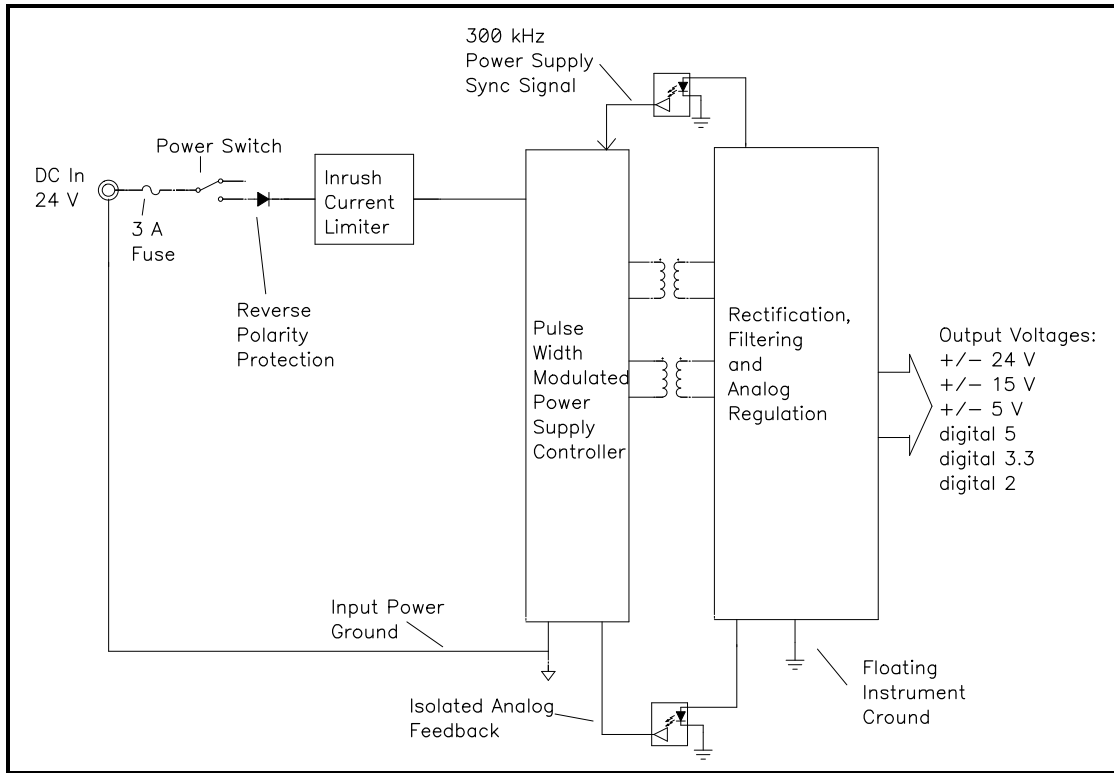
Figure 3-5
Microprocessors in the Reference 600



Notes for Figure 3-5:

- Note the lack of a ground connection between the USB bus and the Reference 600 circuitry.
- The EasyUSB firmware is loaded into EasyUSB RAM on power-up. The USB firmware can be updated over the USB via a selection in the Reference 600 section in the Windows Device Manager.
- The Power PC firmware is also transferred from ROM into RAM on power-up. The Power PC firmware can also be updated over the USB via a selection in the Reference 600 section of the Windows Device Manager. Time critical sections of the Power PC code are kept in the processor's fast cache memory.
- The term UART refers to a Universal Asynchronous Receiver Transmitter. It converts parallel data to a self-clocking serial bit stream. The UARTs send data at 6 Mbits/second.
- The Bus Transceiver isolates bus activity on the Controller and Potentiostat boards. Only reads and write to locations on these boards generate bus activity. This reduces noise pick-up.
- Each board in a Reference 600 has local non-volatile data storage. This is used to save calibration data, the instrument Label and board revision information. Unlike previous Gamry Instruments Potentiostats, the Reference 600 calibration data stored in the instrument, not in a data file. When a Reference 600 is moved from one computer to another, its calibration remains valid.

Figure 3-6
DC-DC Power Conversion



Notes for Figure 3-6:

- Note the ground isolation between the input power and the Reference 600 circuitry. The Reference 600 chassis is connected to the Floating Instrument Ground.

Transformers and digital-isolators are the only components connected between the grounds.
- The 300 kHz power supply sync signal is derived from the same clock used to control data acquisition. Data points taken at an integer multiple of 3.333 μ Sec/point will be synchronized with the power supply, minimizing the effect of power supply noise on the data.
- Additional circuitry that is not shown protects the Reference 600 against ESD (electrostatic discharge) and electrical surges. Note that the Reference 600 is also protected against damage if an incorrect polarity power input is connected to the unit.
- The incoming DC voltage must be between 22 and 26 volts. With inputs below 22 volts, the PWM (Pulse Width Modulator) may be unable to regulate the supply. Above 26 volts, the PWM may not start-up.

Warning

Do not use a DC power source other than the AC adapter model provided with your Reference 600. Other replacements may void the performance and/or safety characteristics of the Reference 600.

Caution

Power input voltages less than 20 volts or greater than 32 volts can damage the Reference 600's power supply.

Chapter 4 -- Installation

This chapter of the Gamry Instruments Inc. Reference 600 Operator's Manual covers normal installation of the Reference 600. We assume the Reference 600 is installed as part of a Gamry Framework based electrochemical measurement system containing a Microsoft Windows™ compatible computer.

These instructions assume use with Gamry's Framework Software Revision 6.0 or higher.

Figure 4 - 1
Front View of a Reference 600



Initial Visual Inspection

After you remove your Reference 600 from its shipping carton, you should check it for any signs of shipping damage. If any damage is noted, please notify Gamry Instruments, Inc. and the shipping carrier immediately. Save the shipping container for possible inspection by the carrier.

Warning

The “reinforced insulation” that keeps the operator from accessing the “hazardous live” voltages in the Reference 600 can be rendered ineffective if the Reference 600 is damaged in shipment. Do not operate damaged apparatus until a qualified service technician has verified its safety. Tag a damaged Reference 600 to indicate that it could be a safety hazard.

Warning

If the Reference 600 is taken from a cold location (for example outdoors in winter conditions) to a warm humid location, water vapor could condense on the cold surfaces inside the Reference 600, possibly creating a hazardous condition. The “reinforced insulation” that keeps the operator from accessing the “hazardous live” voltages in the Reference 600 can be rendered ineffective if the Reference 600 has condensed water inside its case. Before connecting power to a “cold” Reference 600, allow at least one hour for the Reference 600 to warm at room temperature.

Physical Location

You normally locate your Reference 600 on a flat workbench surface. You will want to have access to the rear of the instrument because some cable connections are made from the rear. The Reference 600 is generally operated in an up-right position (see Figure 4-1). Operation in other positions is possible as long as you insure that air movement through the chassis is not restricted.

Caution

Do not block the airflow into or out of the Reference 600 chassis. While the circuitry should suffer no damage due to excessive heat, the Reference 600 enclosure may become uncomfortably hot to the touch if no air flows through the chassis. Running the Reference 600 without adequate cooling could shorten the time to failure of some of the circuitry.

If you do place your Reference 600 within an enclosed space, make sure that the internal temperature within that space does not exceed the 45°C ambient temperature limit of the Reference 600. Be particularly careful if a computer or other heat dissipating equipment is mounted in the same enclosure as the Reference 600.

The Reference 600 has not been designed for outdoor use.

Computer Requirements

Before you connect a Reference 600 to a computer you must make sure that your computer meets these simple requirements.

- A computer based on one of the Pentium™ family of Intel microprocessors or a 100% compatible processor from another vendor.
- One of the following Operating Systems: Microsoft® Windows XP Service Pack 3, Windows Vista®, or 7 is required. (See Gamry's website "www.gamry.com" if you have a newer edition of Windows).
- A USB port that supports Full Speed (12 Mbits/second) or High Speed (480 Mbits/second) USB transfers. It must be compatible with Revision 1.1 or Revision 2.0 of the USB specification.

Quick Start Guide for System Installation

Your shipment should have included a short document entitled: **Quick Start Installation Guide - USB Potentiostat**. It contains the latest instructions for installing Gamry hardware and software onto a computer system. If this document is missing, the following information should be sufficient for you to install the Gamry Framework Software and Gamry Potentiostat onto your computer.

Software Installation

The Reference 600 is compatible with the Windows Plug & Play configuration system. Like most Plug & Play hardware, it is best if you install the software for the Reference 600 before you install the potentiostat hardware.

Gamry Software Setup program will normally start automatically when you place the Gamry Instrument's Software CD (or Gamry Instrument Software Flash Drive) into your computer.

If you have inserted the Gamry CD or Flash Drive into your computer and the Gamry Setup program does not start automatically:

- 1) Navigate to the root folder of the device containing the Gamry Software (CD or Flash Drive) or to a Windows folder containing the Gamry Software.
- 2) Run the program called Autorun.exe found in this folder.

If you do not know how to navigate to the Gamry Installation device, consult your local computer expert or network administrator or email techsupport@gamry.com.

Autorun.exe will run a Setup program. In most cases, you can choose the default choices or the most obvious choices on all screens shown during the Setup process. When the "Select Features" screen appears you will see a list of applications (eg DC105, PHE200, ESI300). Make sure that you select all the applications that have been purchased with your system.

Reboot your Computer after Software Installation

You should reboot your computer once the Gamry Setup program is done. The Setup program will normally offer you the opportunity to do so. USB device drivers are usually loaded when Windows boots up. Following Setup, you may not be able to use your Reference 600 until the drivers are loaded.

Note

Device Driver Installation may not occur until a while after the Windows Desktop screen appears. On a slow computer, or a busy computer with lots of applications, the delay before driver installation can be a minute or more.

Figure 4 - 2
Rear Panel of the Reference 600



Power Cord and Power Connection

The Reference 600 does not plug directly in the AC mains supply. Instead, the mains are connected to an external power supply, which supplies a regulated 24-volt DC output. This regulated DC is then connected to the DC power input jack on the rear of the Reference 600.

The external power supply provided with the Reference 600 is rated for operation from 100 to 240 Vac, at frequencies from 47 to 63 Hz. It should therefore be useable worldwide.

The Reference 600 external power supply is delivered with a line cord suitable for use in the United States. In other countries, you may have to replace the line cord with one suitable for your electrical outlet type. You

must always use a line cord with a CEE 22 Standard V female connector on the apparatus end of the cable. This is the same connector used on the US standard line cord supplied with your Reference 600. See Chapter 1 for specific safety information regarding line cord selection.

The DC output cord from the external power supply plugs into the DC Power input jack on the rear panel of the Reference 600 (see Figure 4 - 2).

Power Up Test

Before you make any other connections to your Reference 600 you should check that the Reference 600 is at least nominally functional.

One quick test is to power up the Reference 600 and watch the blue power LED indicator on the front panel of the Reference 600 (see Figure 4 - 1).

After connecting DC power to the Reference 600, turn on the Power switch on the rear panel of the Reference 600 (see Figure 4 - 2).

Watch the Power LED as the Reference 600 powers up. This LED should go on for a second or so, flash three times, then remain on.

The status of the other LED indicators is not important at this time.

Each flash of the power LED upon startup corresponds to successful conclusion of one portion of the Power PC's power-up self-test.

If the power LED goes on, then turns off and stays off, the Reference 600 is not working properly! Contact Gamry Instruments or your local Gamry Instruments representative as soon as possible if this power up test fails.

USB Cabling

The Reference 600 connects to the computer using a standard High Speed USB A/B cable. A suitable cable was shipped with your Reference 3000. If this cable has been lost, you can get a replacement at almost any computer retailer. The replacement cable should be rated for USB 2.0 high speed USB operation.

An A/B USB cable has different connectors on each end. The end with a wider, rectangular shaped connector plugs into a USB port on your computer (or a similar port on a USB hub). The end with a nearly square connector plugs into the USB port on the Reference 600 (see Figure 4 - 2).

The USB connection can be "hot-plugged". This means, both the computer and the Reference 600 can be powered-up before the USB cable is plugged in. Unlike many other instrument system connections, you need not power down the system before plugging in the USB.

You can also safely remove the USB cable without powering down the Reference 600 and your computer. Be aware however, that this may have undesirable consequences if the system is currently taking data or performing an electrochemical experiment.

Front Panel USB LED

The front panel USB LED provides a simple test of two aspects of normal Reference 600 USB operation. It has three normal states:

- Unlighted - indicating that the USB cable is disconnected or the USB connection is disabled by the host computer,
- Solid Green - indicating that a valid cable connection has been made and the Reference 600 USB processor is receiving power from the USB cable,
- Flashing Yellow - indicating that valid USB messages are being transferred between the computer and the Reference 600.

The flashing state will only be seen when Gamry Instruments application software is running.

Cell Cable Installation

The Cell Connector is a 25-pin female D connector on the front of the Reference 600 (see Figure 4 - 1).

All Gamry's standard cell cables have a 25-pin D connector on one end and a number of leads terminated with banana plugs on the other. The D connector end of the cable is connected to the Cell Connector on the front of the Reference 600. The knurled screws on this cable should always be used to hold the cable in place.

A wide variety of cell cables are available for the Reference 600. These include unshielded cables designed for maximum AC performance, shielded cables in various lengths, and special cables for use in EIS systems where very low impedances must be measured. The Reference 600 can automatically detect which Gamry Instruments cable is connected and the Gamry Framework software can then adjust the system performance for the characteristics of that cable.

Multiple Potentiostat Systems

Gamry's current Framework software (Revision 6.0) allows a computer to operate up to 16 Gamry Instruments potentiostats simultaneously. The 16 potentiostats can include Reference family and Interface family devices with USB connections and older PCI4 family devices.

A system with multiple Reference 600s just needs them all plugged into the computer. We do not recommend using bus-powered hubs to expand your USB network. Externally powered USB hubs are commonly available.

Contact our home office or your local Gamry Instruments representative if you need assistance configuring a system containing both Reference 600 and PCI4 hardware.

1st Time Device Installation in Windows XP

Note
These instructions presume you have already installed Gamry software Revision 6.0 or higher.

Windows 7 Users: The dialog boxes in this section of the manual will not be displayed. Please skip to the next section of the manual, **Running the Framework** to continue the installation process.

Windows XP or Vista Users, the message that will appear is something like "New device found" or "Unknown USB device Detected". The next screen that looks something like this:

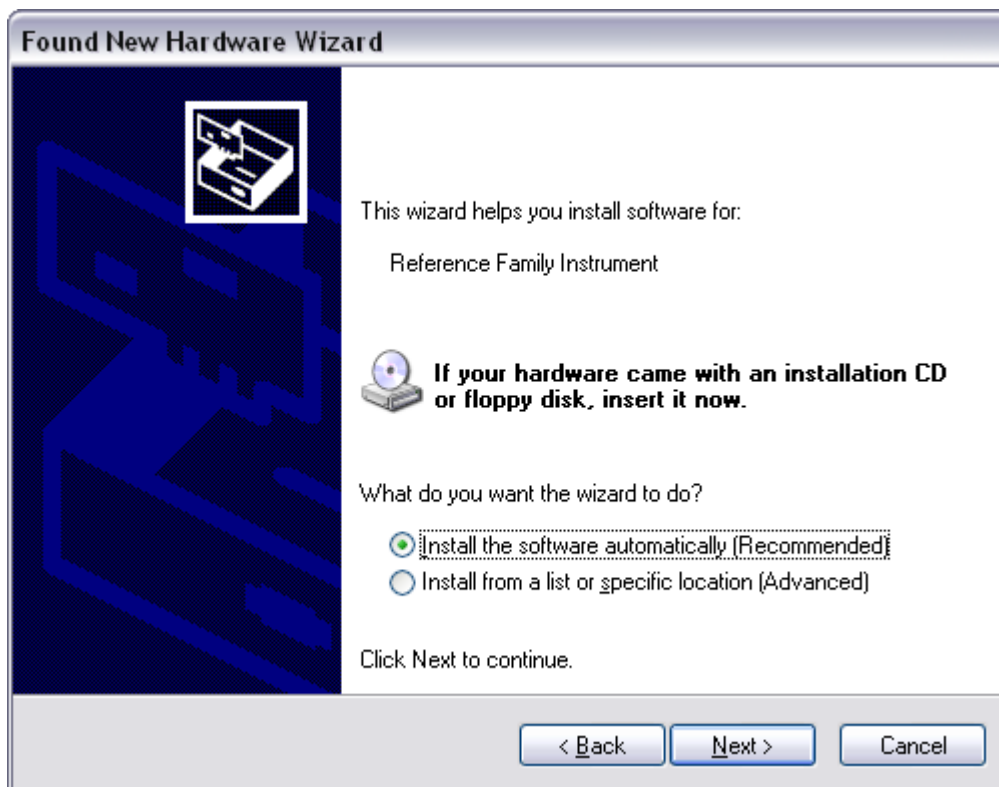
Figure 4 - 3
Welcome to the Found New Hardware Wizard



As shown in this Figure, do not choose to let Windows Update find the device driver that you need. The Windows Update web site has no knowledge of the Gamry Instruments Reference 600.

Make sure you select **No, not this time**. After you select, **Next**, you should see a screen that looks like this:

Figure 4-4
Install the Software Automatically



All Gamry device drivers are pre-installed to your machine during the software installation process. Select **Install the software automatically**, then select **Next**.

These messages will also be seen when a Reference 600 instrument is moved to a new USB port. In this case, you can still select **Install the software automatically**, even if you do not have the Gamry Instruments CD. The driver that was previously installed on your computer's disk drive will be used.

The Windows Device Manger will locate and install the required files, which are already on your system.

Running the Framework

Regardless of your electrochemical application, Gamry recommends running the Gamry Framework after you install new Framework software or add a potentiostat to your system. The Framework Instruments Manager allows you to:

- Rename potentiostats,
- Calibrate potentiostats,
- Manage potentiostat firmware,
- Authorize Specific Applications for use with Specific Potentiostats

You run the Gamry Framework by clicking on the icon it installed on the Windows desktop. You can connect and power any Gamry potentiostats either before or after you start the Framework.

Framework Device Status Bar

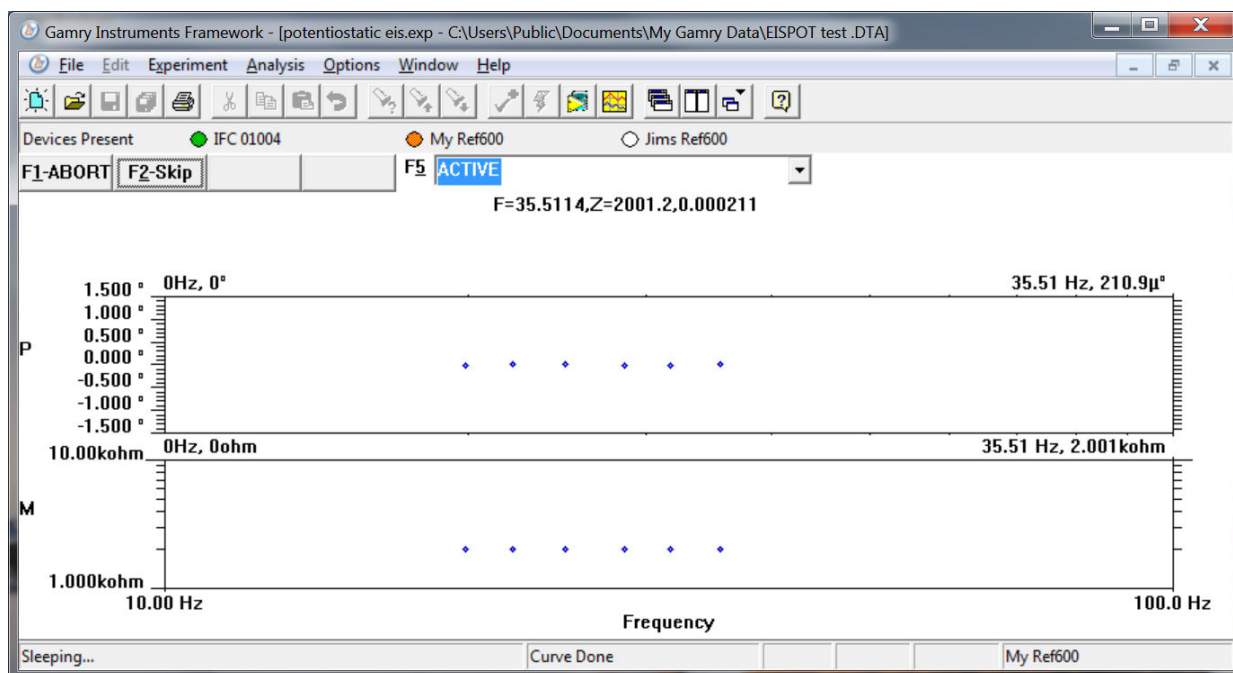
By default, the Gamry Framework shows a Device Status Bar under its main menu: see Figure 4-5. If you don't see the Device Status Bar when you run the Gamry Framework, it has been disabled in the Framework **Options** menu.

Potentiostat Devices (instruments) that are connected to the computer appear on this bar. The round indicator associated with each device shows its status:

Green	The device is available to run experiments
Yellow	The device is currently running an experiment
White	The device is connected to the system, but is not usable. This is generally the result of a revision mismatch between the Framework software and the device's firmware. You can use the Framework Instrument Manager to fix the mismatch.

The screen capture below shows a Framework screen with three USB instruments connected.

Figure 4-5
Framework With Three Potentiostats and One Running Test



The Interface 1000 (IFC 01004) in this system is shown with a green indicator because it is installed and ready to run. The Reference 600 labeled My Ref600 has a yellow indicator because it is recording the EIS spectrum shown on the screen. The Reference 600 labeled Jims Ref600 has a white indicator, showing it is plugged in but cannot be used. This is an indication of obsolete firmware.

Gamry Instrument Manager

You can use Gamry's new Instrument Manager dialog box to make changes to the configuration of your Reference 600 system. This dialog box is accessed through the **Options** menu in the Gamry Framework.

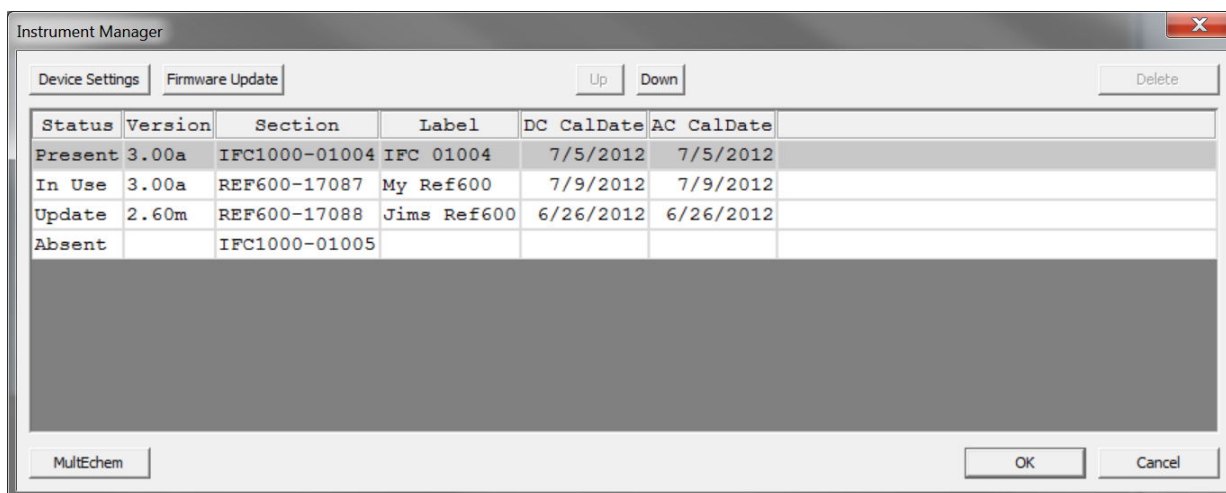
The Instrument Manager is used to:

- Rename potentiostats
- Delete potentiostats that are not currently connected to the computer
- Select the order in which potentiostats appear in menus
- Authorize potentiostat use with applications packages
- Update firmware within potentiostats

You run the Instrument Manager by selecting **Options, Instrument Manager...** on the Framework Menu.

Figure 4-6 shows the Instrument Manager dialog box for the three potentiostat Framework session shown in the previous section.

Figure 4-6
Instrument Manager Dialog Box



Each Gamry potentiostat in the system appears on a separate row. All Gamry Instruments potentiostats that are known to the system are displayed in the Instrument Manager. An instrument is selected by clicking anywhere within that row for that instrument. Selecting an instrument that is connected and idle will blink its Power LED.

The buttons on the right side of the dialog box change depending on which instrument is selected. Some buttons are inappropriate for some instruments.

The Status column tells you the whether each instrument is available and usable by the Framework. Possible status conditions are:

Present	The instrument is connected, powered, and available for use.
Absent	The instrument was connected in the past but is currently not connected or not powered. Instruments with this status can be deleted from the system
In Use	The instrument is currently running a Framework experiment.
Update	The instrument is connected and powered, but cannot be used to run experiments. Its current firmware revision is not compatible with the current Framework revision. You can update the instrument's firmware by selecting this instrument and selecting Firmware Update .

You can delete an Absent instrument by selecting **Delete** when an instrument is selected. Deleting an instrument simplifies the Instrument Manager dialog box. It has little effect otherwise; the deleted instrument can be reconnected later.

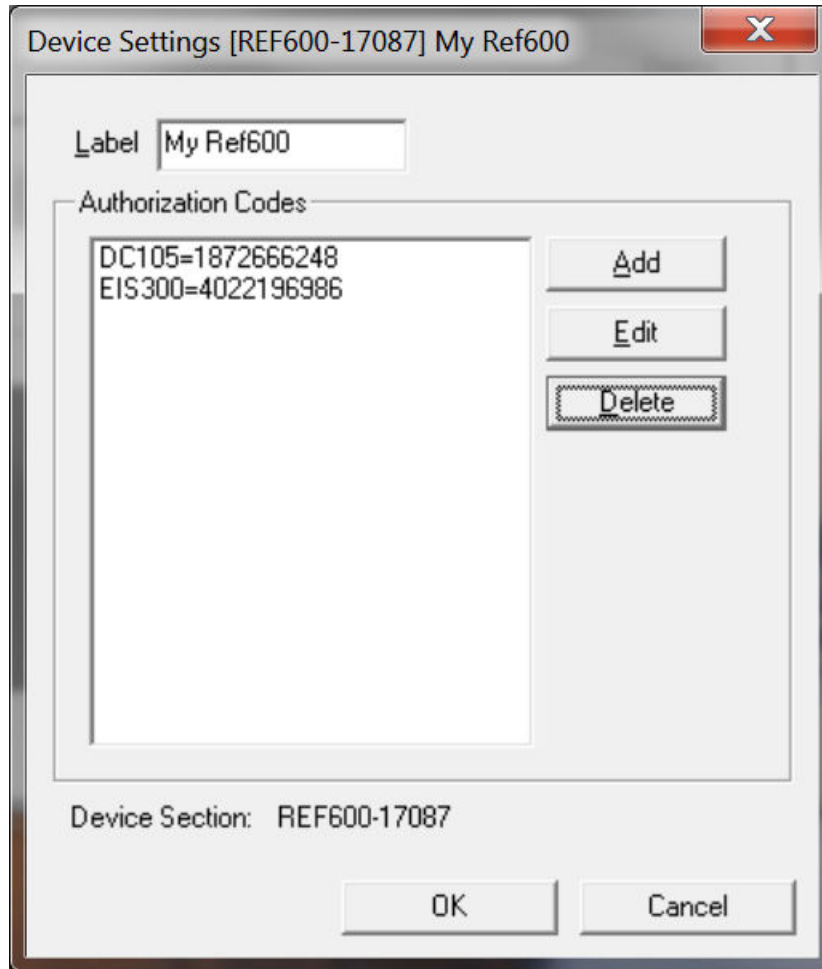
When you set up an experiment, you will need to select the potentiostat used to run the test. The instruments will appear in the order shown in the Instrument Manager, with the device in the top row displayed first. The **Up** and **Down** buttons allow you to move a device in the dialog box and change the order in which devices are displayed.

Authorization Codes and Label

If you purchase additional Gamry application software or you need to make a correction to your authorization codes, you can do so using the Windows Device Manager or the Framework Instrument Manager.

The dialog box used to enter authorization codes also allows you to change the Label for your device. The Gamry Framework Application Software must be closed before you can use the Device Manager to make changes. Next, you must select the appropriate device, as discussed in the Device Manager and Instrument Manager discussions above. In the Windows Device Manager, once you have selected the appropriate device, right click and select **Properties**. Next, select **Device Settings** and you will see a screen that looks like Figure 4-7:

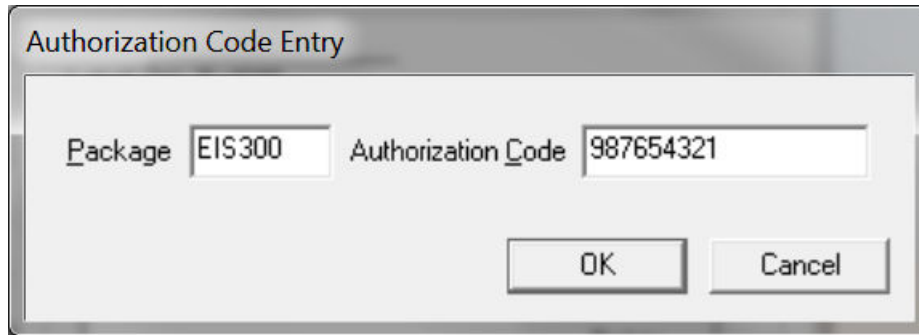
Figure 4-7
Device Settings Tab



This was the **Device Settings** dialog box for the second potentiostat in the system described above. You can enter or edit any of the authorization codes or Label for the device by clicking on the appropriate edit box and entering the information. In the Figure above, the default label has been changed to a friendly name - My Ref600.

To enter an authorization code, simply click on the Add button. A dialog box will appear as shown in Figure 4-8. You enter the package name, such as "EIS300", followed by the 10 digit authorization code.

Figure 4-8
Enter an Authorization Code



Press **OK** when you are finished.

On occasion you may have to change the USB port used to connect the Reference 600 to your computer. The Windows Device manager will interpret a Reference 600 on a new USB port as a new Reference 600.

Firmware Update

Your Reference 600 was shipped with the latest version of its firmware. From time to time, Gamry makes changes to the instrument's Firmware code, and a firmware update will be required to make use of the new or improved code.

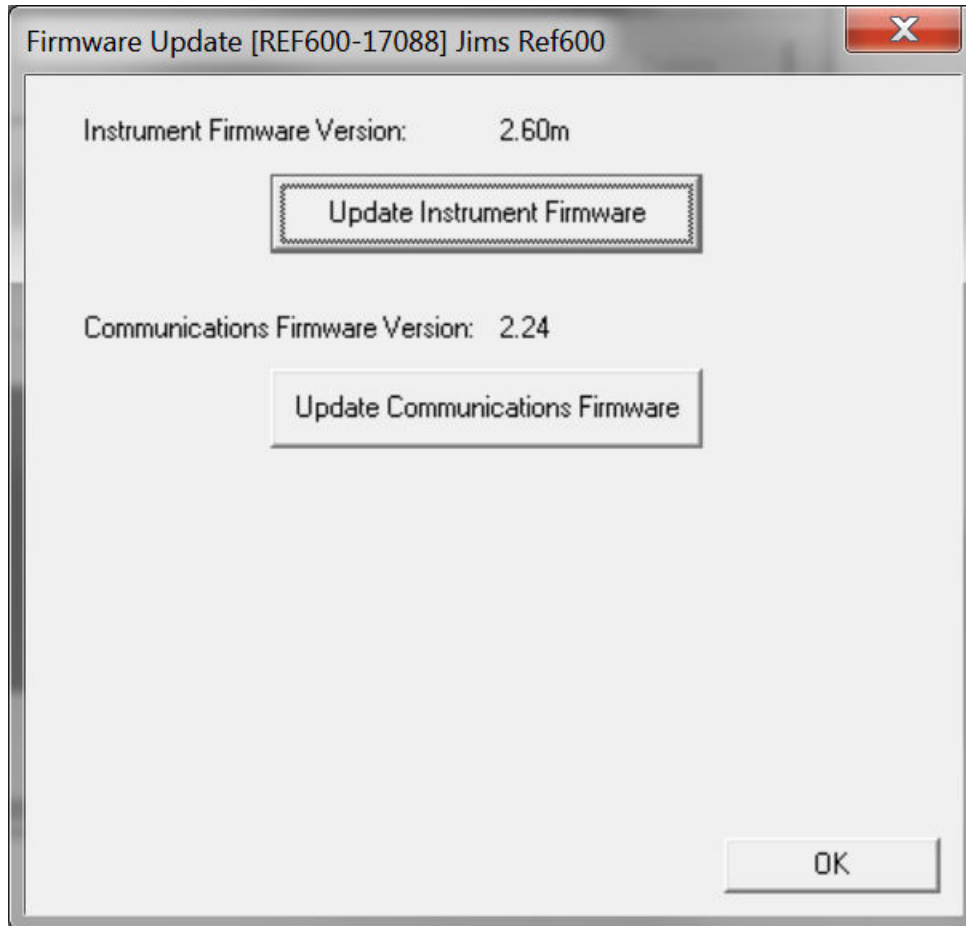
There are two firmware images that can be field updated on your Reference 600. The first is the Instrument Firmware. This is the program that handles most of the functionality of the Reference 600. The second is the Communications Firmware. This program handles the USB communications between your Reference 600 and the host computer.

Appropriate update files (firmware images) can be obtained from the Gamry Instruments website at www.gamry.com. Download the file containing the new image and save it onto your computer's hard disk. Alternatively, every Gamry Software CD (or Gamry Software Flash Drive) contains a firmware folder that contains firmware files compatible with that CD's Framework revision.

You can initiate the Firmware Update process using the Framework **Options, Instrument Manager...** command or using the Windows Device Manager. The Instrument Manager is the preferred method.

To update any of the Firmware, you must first select the appropriate device in the Instrument Manager, as discussed in the Device Manager section. Once you have selected the appropriate device, right click and select **Properties**. Next, select **Firmware Update** and you will see a screen that looks like Figure 4-9:

Figure 4-9
Firmware Update Tab



Depending upon which code you wish to update, click on **Update Instrument Firmware** or **Update Communications Firmware**. You will then be prompted for a file. Navigate to the file's location (on the Gamry software CD or on your computer's hard drive) and then press **Open**. The update procedure will begin. A status bar shows the progress of the update. The USB indicator on the Reference 600 should also turn red during the procedure. Once the update is successful, press **OK** and your Reference 600 will be ready for use.

Once again, appropriate update files can be obtained from the Gamry Instruments website at www.gamry.com. Should you encounter a problem updating the firmware in your Reference 600, please contact Gamry Instruments for assistance.

Interrupting a firmware update can cause a catastrophic failure of your system. Do not turn off the Reference 600, do not unplug the USB cable, and do not stop the host computer operation when the USB LED is a steady red color.

Caution
Do not interrupt a firmware update that is in progress. An incomplete update can render a Reference 600 inoperable until it is returned to Gamry for reprogramming.

Calibration

You should calibrate each potentiostat installed in your system. A calibration script is provided with the Gamry Framework.

The calibration for the Reference 600 has been divided into three sections: DC Calibration, AC Calibration, and Low I DC Cal. All three calibration procedures are accessed via the **Utility** selection on the Framework's **Experiment** pull down menu.

Separate Calibration for Each Reference 600 Cable Type

The Reference 600 recognizes the type of cable connected to its cell connector. It maintains a separate AC calibration table for each type of cable. The Gamry Framework will not let you use AC calibration data recorded using a 60 cm shielded cable for experiments run using a Twisted Pair cable optimized for low impedance EIS measurements.

DC and AC Calibration

These two procedures use an external resistive dummy cell.

CAUTION:

Reference 600 calibration calls for an external resistive dummy cell. Your Reference 600 was shipped with a Universal Dummy Cell 4, which includes a 2 k Ω , 0.05% accurate resistor in the position marked "Calibration". After calibration, please place this dummy cell in a safe place where you can find it if your unit requires recalibration.

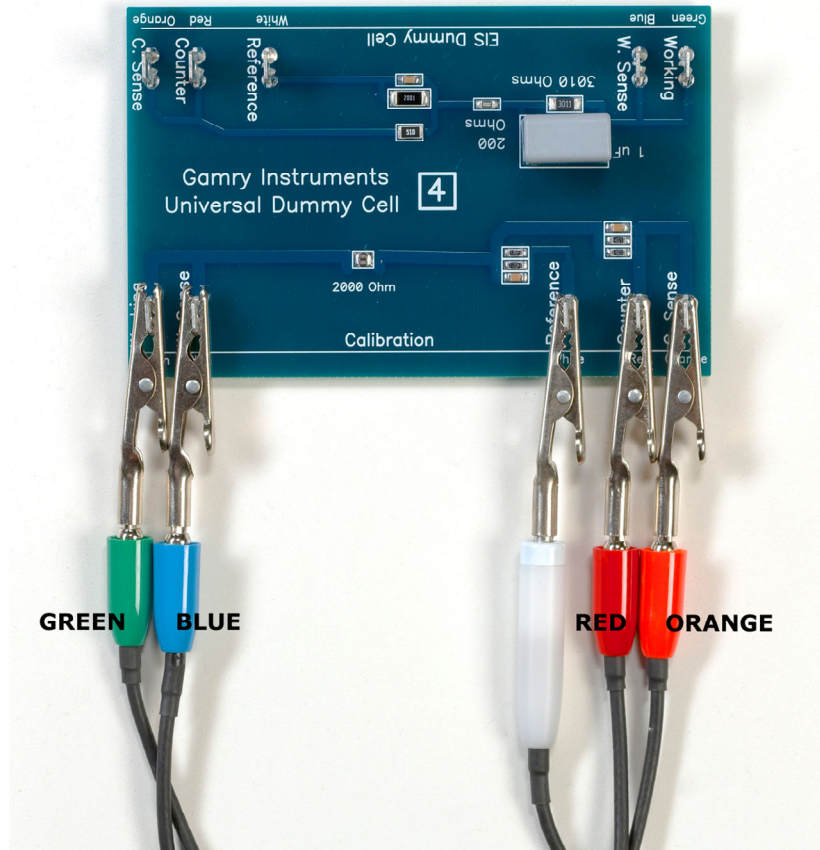
If you do need to recalibrate and you cannot find your Universal Dummy Cell 4, you can perform DC Calibration using a different 2 k Ω resistor. Its wattage is unimportant. Some performance checks in the calibration process may fail if the resistor's inaccuracy exceeds 0.2% (4 Ω).

We do not recommend AC Calibration with any resistor other than the one on the Universal Dummy Cell 4. The Universal Dummy Cell 4 was designed to separate the working electrode leads from the counter and reference electrode leads. If you perform AC Calibration without adequate separation between these leads, you will see phase shift in your high frequency EIS data. 1.4 pF of stray capacitance across a 200 Ohm resistor causes a 1° phase shift at 1 MHz.

Potentiostat calibration is only required infrequently. You should recalibrate your Reference 600 under the following circumstances:

- It has been about one year since your last calibration.
- Your potentiostat has been serviced.
- You notice breaks or discontinuities in the data curves recorded with your system.
- The system is being run in an environment that is very different from the previous operating environment. For example, if the Reference 600 was calibrated at 15 °C and you are now operating it at 30 °C, you should recalibrate.

Figure 4-10
UDC4 With Leads Attached for Calibration



Low I Range DC Calibration

The standard Reference 600 calibration is performed with the cell leads connected to a 2 k Ω resistor. During the calibration procedure, DC current range offsets are recorded with the cell switch turned off. A DC current measurement is made on each of the 11 current ranges in the Reference 600. The measured current on each range is the sum of current contributions from:

- The input current of the I/E Converter input amplifier,
- the input current of the Working sense input amplifier,
- the input current of the Reference input amplifier,
- the input current of a Counter Sense input amplifier,
- current leakage in the cell switch.

In most real-world experiments, the cell is turned on, and the I/E converter does not measure the last three terms listed above. These currents still exist, but they are generally sourced by the low impedance counter electrode lead. During Low I DC Calibration the first two terms are directly measured in order to improve pA accuracy of the instrument.

The current contributions from each source on the above list are (at most) a few pA, so they are insignificant on all but the most sensitive Reference 600 current ranges – the 60 pA and 600 pA ranges.

This effect can cause differences of up to 8 pA between DC current measured with the cell turned off and current measured with the cell turned on. In most cases the difference is smaller – one or two pA.

Only two Reference 600 applications are sensitive enough that this current measurement offset causes problems. One is Physical Electrochemistry (Cyclic Voltammetry for example) with small electrodes and the second is EIS on high impedance samples such as barrier coatings. Incorrect DC current readings in EIS can slow the experiment, since the automatic ranging algorithms in the EIS300 software can make poor range choices given incorrect data. This can significantly lengthen the time needed to measure an EIS spectrum.

Most corrosion experiments or macro-electrode measurements involve currents much too large to be affected by this difference.

The Gamry Framework now includes a special “Low I DC Current” calibration procedure that corrects the Reference 600 offsets to minimize this problem. The procedure uses a script that:

- 1) asks you to disconnect the reference, counter, and counter sense leads from the calibration cell,
- 2) measures the I/E input and Working sense amp input currents on the 60 pA and 600 pA ranges,
- 3) replaces the 60 pA and 600 pA current range offsets measured in the full DC calibration with these improved values.

The error sources listed above are both time and temperature dependent, so we recommend frequent “Low I DC Calibration” - if you need accurate measurement of absolute currents at pA levels. The procedure runs fairly quickly, so daily or weekly calibration should not be too inconvenient.

NOTE

The Low I DC Calibration is not a full calibration. You must run a full DC Calibration on your Reference 600 before you first run the “Low I DC calibration”. Remember that the Reference 600 must have a full DC calibration on the same type of cable you are using for the Low I DC Calibration.

Chapter 5 -- Cell Connections

Normal Cell Connections

Each Reference 600 in your system was shipped with a standard, shielded cell cable. The Gamry part number for this cable is 985-00071. It is a 60 cm complex cable with a 25-pin D type connector on one end and four banana plugs and two pin jacks on the other end.

In some cases, your system may also include a special purpose cell cable. The special purpose cell cable will include documentation describing its use.

The 25-pin male end of the standard cell cable connects to the Reference 600's front panel Cell Connector.

You should always screw the cell cable into place since this cable can fall off the unit. This can be disastrous if it occurs during an experiment.

The other end of the cell cable terminates in a number of banana plugs and two pin jacks. Each termination comes with a removable alligator clip. Table 5-1 identifies each terminal of the cable.

Table 5-1
Cell Cable Terminations - Potentiostat and Galvanostat Modes

Color	Type	Name	Normal Connection
Blue	Banana Plug	Working Sense	Connect to working electrode
Green	Banana Plug	Working Electrode	Connect to working electrode
White	Pin Jack	Reference	Connect to reference electrode
Red	Banana Plug	Counter Electrode	Connect to counter electrode
Orange	Banana Plug	Counter Sense	Used in ZRA mode - connect to counter electrode
Black	Pin Jack	Floating Ground	Leave open or connect to a Faraday shield

Connect both the blue and green cell leads to the working electrode. The working electrode is the specimen being tested. The blue pin jack connection senses the voltage of the working electrode. The green working electrode connection carries the cell current. The working electrode may be as much as 150 mV above the circuitry ground (floating ground).

Connect the white pin jack to the cell's reference electrode, such as an SCE or Ag/AgCl reference electrode. The measured cell potential is the potential difference between the blue and white cell connectors.

Connect the red banana plug to the counter or auxiliary electrode. The counter electrode is usually a large inert metal or graphite electrode. The counter electrode terminal is the output of the Reference 600's power amplifier.

The orange lead is only used in ZRA mode where it senses the counter electrode potential (see following section). Automatic switching to ZRA mode is possible if this lead is connected to the counter electrode. If you will not be using ZRA mode, this lead can be left open as long as you insure that it will not short against any other electrode.

The black pin jack is connected on the Reference 600 end to Floating Ground. This is the circuitry ground for the analog circuits in the Reference 600. In most cases, this terminal should be left disconnected at the cell end. When you do so, take care that its metal contact does not touch any of the other cell connections.

If your cell is a typical glass laboratory cell, all of the electrodes are isolated from earth ground. In this case, you may be able to lower noise in your data by connecting the Reference 600's Floating Ground to an earth ground.

A binding post on the rear panel of the Reference 600 is provided for this purpose. A water pipe can be suitable sources of earth ground.

Caution

If any electrode in your cell is at earth ground, you must not connect the Reference 600 chassis to earth ground. Autoclaves, stress apparatus, and field measurements may involve earth grounded electrodes.

Warning

Make sure that your earth ground connection is made to a legitimate source of earth ground. Consult a qualified electrician if you are uncertain how to obtain an earth ground. Connecting the Reference 600 to an incorrect and unsafe voltage can create a safety hazard (see Chapter 1 for details).

If you are measuring very small currents, you may find that a metal enclosure completely surrounding your cell (a Faraday shield) significantly lowers measured current noise. This Faraday shield should usually be connected to both earth ground and Floating Ground. The Floating ground on the black cell lead is a convenient source of ground.

If any electrode in your cell is connected to earth ground, you should only connect your Faraday shield to the black cell lead (Floating Ground).

The alligator clip on any cell connection can be removed to access the underlying banana plug or pin jack. If you need to permanently change the terminations on your cell cable, feel free to remove the banana plugs and replace them with your new termination. Gamry Instruments can also provide additional standard or special cell cables.

In either potentiostatic or galvanostatic mode, if you do not have a reference electrode in your cell, the reference lead can be connected to the counter electrode for a two electrode experiment. The potential reading will be the difference between the counter electrode and the working electrode.

ZRA Mode Cell Connections

The Reference 600 can function as a precision Zero Resistance Ammeter (ZRA). It maintains two metal samples at the same potential and measures the current flow between the samples. It can also measure the potential of the samples versus a reference electrode.

The cell cable connections for ZRA mode are shown in Table 5-2. Note that the connections are very similar to those for the potentiostat and galvanostat modes. A second working electrode is substituted for the counter electrode and the Orange Counter Sense lead must be connected.

Table 5-2
Cell Cable Connections for ZRA Mode

Color	Type	Name	Normal Connection
Blue	Banana Plug	Working Sense	Connect to metal sample #1
Green	Banana Plug	Working Electrode	Connect to metal sample #1
White	Pin Jack	Reference	Connect to a reference electrode
Red	Banana Plug	Counter Electrode	Connect to metal sample #2
Orange	Banana Plug	Counter Sense	Connect to metal sample #2
Black	Pin Jack	Floating Ground	Leave open or connect to a Faraday shield

The counter sense and the working sense lead are each connected to different metal samples. In the ZRA mode the Reference 600 is normally programmed to maintain zero volts between these leads. It therefore maintains the two metal samples at the same voltage.

The white pin jack on the cell cable is normally connected to a reference electrode. The potential between this lead and the working sense lead is reported as the cell potential.

In ZRA mode, if you don't have a reference electrode in your cell, we recommend that you connect the white reference lead to the working electrode. In theory, the measured potential will be exactly zero when this is done. In practice, A/D noise and offset will create a small potential signal with a value very close to zero.

Membrane Cell Connections

The Reference 600 can be used with membrane cells. In this type of cell, a membrane separates two electrolyte solutions. Two reference electrodes are used - one in each electrolyte. Each electrolyte also contains a counter electrode. The Reference 600 controls the potential across the membrane. Table 5-3 shows the cell connections used with a membrane type cell.

Table 5-3
Cell Cable Connections for a Membrane Cell

Color	Type	Name	Normal Connection
Blue	Banana Plug	Working Sense	Connect to reference electrode #1
Green	Banana Plug	Working Electrode	Connect to counter electrode #1
White	Pin Jack	Reference	Connect to reference electrode #2
Red	Banana Plug	Counter Electrode	Connect to counter electrode #2
Orange	Banana Plug	Counter Sense	Leave open (only needed in ZRA mode)
Black	Pin Jack	Floating Ground	Leave open or connect to a Faraday shield

Note that reference electrode #1 and counter electrode #1 must be on one side of the membrane and reference electrode #2 and counter electrode #2 must be on the other side.

Chapter 6 -- Panel Indicators and Connectors

Front Panel

The Reference 600 front panel includes one connector and 4 backlit LED indicators. Each of these will be discussed in turn. A picture of the Reference 600 front panel can be seen in Figure 4 - 1.

Cell Connector

The Cell Connector is a 25-pin D type connector that is used to connect the Reference 600 to an electrochemical test cell. It is normally used with a Gamry Instruments supplied cell cable.

In addition to the pins used for cell connections, the Reference 600 Cell Connector also uses 5 pins to read a cell cable ID. Gamry's software can compensate for the cell cable characteristics for optimal system performance, especially in EIS (Electrochemical Impedance Spectroscopy).

The cell connections are discussed at great length in Chapter 5. A pin-out of the cell cable connector can be found in Appendix B.

The Power LED

The Power LED is located on the lower left of the Reference 600 front panel. It normally glows a steady blue, when the Reference 600 is turned on and has passed some simple self-tests.

When the Reference 600 is first turned on, the Power LED will glow steadily for a second or two, blink three times, and then go to its normal steady blue output. Each blink in this sequence indicates successful completion of a portion of the Power PC's power-up self-test routine. '

A Reference 600's Power LED blinks when that instrument is selected in the Framework's Instrument Manager. This allows easy identification of a specific instrument in a MultEchem system without looking at the instrument Serial Label on the bottom of the instrument chassis.

When the Power LED is off, either:

- The rear panel power switch is off.
- There is no DC +24 volt supply connected to the rear panel DC Power In connector.
- The external DC power supply has no input power or is malfunctioning.
- One part of the Power PC's power-up self-test has failed.

Caution

The Power LED is used both to indicate power status and to indicate that power-up tests have passed. It therefore cannot be relied on as a true power status indicator. Always unplug the DC Power In connection if you suspect your Reference 600 is malfunctioning.

The USB LED

The USB LED is located just above the Power LED. It is a tri-color LED, capable of glowing green, orange, or red.

The USB LED will be unlighted when:

- The Reference 600 is not powered.
- The Reference 600 does not have a USB cable plugged into its rear panel USB port.
- The computer end of the USB cable is not plugged into a USB port on a computer or hub.
- The USB cable is not supplying USB power to the Reference 600.
- The computer has disabled the USB port going to the Reference 600.

The USB LED will glow a steady green if a valid USB connection has been made and the Reference 600's communication processor is receiving power down the USB cable.

The USB LED will flash orange whenever the Reference 600 is receiving or transmitting valid USB messages to or from the host computer. It will not flash if there is USB traffic addressed to other devices on the USB bus, including messages aimed at a different Reference 600.

The USB LED will indicate a solid RED in one special condition. It will be red when a firmware download is taking place. Interrupting a firmware download can cause a catastrophic failure of your system. Do not turn off the Reference 600, do not unplug the USB cable, and do not stop the host computer operation when the USB LED is a steady red color.

Caution

Do not interrupt a firmware download while it is in progress. An incomplete download can render a Reference 600 inoperable until it is returned to Gamry for reprogramming.

Cell LED

The Cell LED glows yellow whenever the Reference 600 is actively applying voltage or current to the electrochemical cell attached to the Cell Cable. You should avoid touching the cell cable leads whenever the Cell LED is lighted, because the quality of the data being collected in your experiment may be compromised.

Note

The Cell LED does not indicate a dangerous condition when it is lighted. The voltages output by the Reference 600 are generally considered to be safe. Still, you should avoid touching the cell leads when the cell is on.

If you need to make changes to your cell leads, you normally do so between experiments, when the Cell LED is off and the potentiostat is inactive.

In a typical experimental sequence, the Cell LED will be off between experiments and during any open circuit potential measurements. It will glow yellow whenever the cell is polarized.

Overload LED

The Overload LED is normally unlighted. When it glows red, this indicates that some circuit in the Reference 600 has exceeded its normal operating limit. Conditions that generate Overloads include:

- The absolute value of the differential electrometer output voltage (the difference in voltage between the Working and Reference leads) exceeds 10 volts. This condition is known as an E Overload.
- The control amplifier has lost control of the cell. The absolute value of the cell current may be trying to exceed ± 600 mA, or the absolute value of the counter electrode voltage may be trying to exceed ± 22 volts. Either condition will be called a Control Overload.
- The absolute value of the cell current has exceeded full scale on the current range presently in use. This condition is known as an I Overload.

Transient (temporary) overloads during an experiment in which the cell voltage or current is being stepped or swept are often normal. In most cases, they do not indicate a system or instrument malfunction.

Consider the case of an infinitely fast voltage step into a perfect capacitor. In theory, charging the capacitor requires an infinite current. The current spike seen at each step in a stepped voltage waveform can easily light the Overload LED. The current spike will normally decay to near zero before the actual current and voltage readings are taken.

Overload indications when the cell is being connected or disconnected are common and usually do not indicate a problem. Overloads can also be seen when one of the cell leads is disconnected from the other cell leads, even though the cell is off. Again, this does not indicate a problem.

A steadily glowing Overload LED during an experiment most likely indicates a problem is occurring. Possible causes include:

- One of the cell leads is disconnected (this is the most common cause),
- a gas bubble in the cell is blocking one of the electrodes,
- the potentiostat could be oscillating (see the next chapter).

Note

As described above, a glowing red Overload LED does not necessarily indicate a system malfunction. The Overload LED can light when one or more cell leads are disconnected, without indicating a problem with the system. The Overload LED can often light momentarily during a swept or stepped experiment. The only Overload LED indication that definitely points towards a problem is a continuously glowing Overload LED during an experiment.

Rear Panel

The rear panel contains one switch and a large number of connectors. A picture of the Reference 600 rear panel can be seen in Figure 4 - 2.

Power In Jack

The Reference 600 derives all its power from +24 volts DC input through the Power In jack. The input current is less than 3 amps.

We recommend that you always use the external power supply supplied with your Reference 600 to supply DC power to the instrument. This supply is rated for operation from 100 to 240 volts AC, at frequencies from 47 to 63 Hz. It should therefore be useable worldwide. While a Reference 600 may work with other power sources, we cannot guarantee it will work to its full specifications.

If you have to use the Reference 600 with a different supply, make sure that the supply is regulated, has an output between 22 and 26 volts, and supplies 3 amps of load current.

Caution

Power input voltages less than 20 volts or greater than 32 volts can damage the Reference 600's power supply.

Power Switch

The Power Switch is located just below the Power In jack. It switches the power from this jack to the input of the Reference 600's DC-DC converter. All protection circuitry, including the in-rush current limiter, are located after this switch.

Normally, the DC Power is connected before the Power Switch is turned ON. However, no damage will occur if this switch is already in the ON position when the DC Power In cable is connected, or the AC power input is connected to the external power supply.

Chassis Ground

The rear panel Chassis Ground is intended for one use only. When the Reference 600 is used with cells isolated from earth ground, connecting the chassis ground to earth ground may lower the noise measured in the system. Note that the chassis of the Reference 600 is connected to Floating Ground. See Chapter 1, for safety information concerning this connection.

Either a banana plug or the stripped end of a wire can be connected to the Chassis Ground binding post. The other end of the wire is then connected to earth ground.

A black banana-plug to banana-plug lead has been provided with your Reference 600. You may find it useful when making this earth ground connection.

USB Port

The USB port on the rear panel of the Reference 600 is a Type B connector as defined in Revision 1.1 and 2.0 of the USB Specification. You use a standard, shielded, Type A/B cable to connect this port to a computer's USB port or a USB hub (preferably an externally powered hub). The two ends of a Type A/B cable are different. The more-rectangular end plugs into the computer and the more-square end plugs into the Reference 6000.

A suitable USB cable was included with your Reference 600 shipment. If this cable is lost, you can replace it with a cable from your local computer retailer.

The Reference 600 is a High Speed USB 2.0 peripheral, capable of data transfer at 480 Mbits/second. If it is plugged into a computer port incapable of High Speed operation it will downgrade to USB 1.1 full speed operation (12 Mbits/second). Obviously data transfer speed will be slower if this occurs.

The Reference 600 USB port is compatible with Revision 1.1 and 2.0 of the USB specification. It supports the Windows Plug-n-Play mechanism, including dynamic connect/reconnect.

The front panel USB LED should be green whenever a valid computer to Reference 3000 connection has been made and both the computer and Reference 3000 are fully powered.

Thermocouple Input

The Reference 600 has an input jack for either a J Type or K Type thermocouple, depending upon the date of manufacture. The ISO standard calls for color-coded mini-thermocouple connections. Black is the color assigned to J Type thermocouples. Yellow is the color assigned to K Type thermocouples. The mating connector on your thermocouple should therefore be black if your unit is marked with J Type T/C on the rear of the instrument, or yellow if your unit is marked with K Type T/C.

Possible uses for temperature measurement in an electrochemical test include:

- Looking for a temperature rise at end-of-charge on a battery.
- Measuring ambient temperature prior to a corrosion measurement in the field.
- Measuring temperature in a cell before making a CV measurement that will be used to calculate reaction kinetics.

Gamry Instruments chose not to provide a thermocouple with the Reference 600. There is simply too much variety in the mechanical design of thermocouple probes. Commercial thermocouples designed for measurement in air, on solid surfaces, and in immersion service are available from a variety of vendors. Make sure you get the proper type thermocouple as shown on the rear of your Reference 600.

The Reference 600 uses a temperature measurement IC to convert the thermocouple output to a useable voltage. It outputs a voltage that is nominally 10 mV per degree Celsius. The IC used varies with the type of thermocouple input. For the J Type thermocouple, the Analog Device AD594A is rated for an accuracy of 3°C. For the K Type thermocouple, the Analog Device AD597AR is rated for an accuracy of 4°C. The specified

accuracy is only achieved when the Reference 600 is calibrated. The scaling at the A/D converter is ± 3 volts full scale, or $\pm 300^\circ\text{C}$ full scale.

The Reference 600 calibration script has an optional section for thermocouple calibration. An ice-water bath and a beaker of boiling water provide convenient standards for a two-point calibration.

Caution

One side of the thermocouple is connected to the Reference 600's Floating Ground. An improper connection to the thermocouple input can compromise the Reference 600's ability to float and invalidate data collected on earth grounded cells. A connection to an non-insulated thermocouple immersed in your electrochemical cell can also cause erroneous readings.

Misc I/O Connector

The Misc (Miscellaneous) I/O connector is a multipurpose connector. It contains both digital and analog signals used to interface external devices to the Reference 600.

All of its signals are isolated from both earth ground and the Reference 600's Floating Ground. The device connected to this connector establishes a ground reference. This isolation allows the Misc I/O connector to be connected to earth grounded apparatus, without compromising the Reference 600's ground isolation.

A full description of this connector can be found in Appendix C of this manual. This appendix includes details such as connector pin-out, output and input voltage levels and full signal descriptions.

The following list is a short description of the signals in the Misc I/O Connector and their uses:

- Sync Out and Sync In signal allow two or more Reference 600s to use one data acquisition clock.
- Four digital outputs can be used to turn on external devices under control of an Explain experimental control script.
- Some of Gamry applications assign three of the digital output to control stirring, flow of deaeration gas, and formation of mercury drops on a mercury drop electrode.
- Four digital inputs that can be read in an Explain experimental control script.
- A 12-bit D/A converter used to set "continuously variable" settings, such as electrode rotation rate on a rotating disk electrode.
- A 5 volt isolated power supply that can provide up to 50 mA of current for external circuitry.

Caution

Floating operation of Reference 600 can be compromised by improper cabling to the Misc I/O Connector. We do not recommend use of standard 15-pin shielded cables with this connector. Custom cables with the shield connected to pin 6 of the D-connector are preferred.

I Monitor BNC

The I Monitor BNC connector represents the output of the Reference 600's current measurement circuit. With the exception of the filtering described below, it is the raw signal. It will be high bandwidth on the less sensitive current ranges. The effective bandwidth of the current signal falls as you reach the nA and pA current ranges. IE Stability capacitors further slow the response.

The outer shell of this BNC connector is connected to the Reference 600's floating ground.

Caution

The shell of the I Monitor BNC is connected to the Reference 600's Floating Ground. Connection of this BNC to a piece of earth ground referenced equipment can compromise the Reference 600's ability to float and invalidate data collected on earth grounded cells.

Scaling on this signal is ± 3 volts for \pm the nominal full scale current on the selected current range. Cathodic currents will cause a positive output voltage. If the software is auto-ranging the current-range selection, this signal will be discontinuous at each range change.

The I Monitor BNC connector is lightly filtered using an RLC circuit. It has a bandwidth of approximately 3 MHz when connected to a high impedance input. This bandwidth will be further reduced if a coaxial cable is connected to the BNC. Its output impedance is approximately 200 Ohms in parallel with 220 pF.

E Monitor BNC

The E Monitor BNC connector is the output of the Reference 600's differential electrometer circuit. With the exception of the filtering described below, it is a buffered representation of the voltage difference between the white and blue cell cable leads. It has very high bandwidth.

The outer shell of the BNC connector is connected to the Reference 600's floating ground.

Caution
The shell of the E Monitor BNC is connected to the Reference 600's Floating Ground. Connection of this BNC to a piece of earth ground referenced equipment can compromise the Reference 600's ability to float and invalidate data collected on earth grounded cells.

The E Monitor BNC connector is lightly filtered using an RLC circuit. It has a bandwidth of approximately 3 MHz when connected to a high impedance input. This bandwidth will be further reduced if a coaxial cable is connected to the BNC. Its output impedance is approximately 200 Ohms in parallel with 220 pF.

Ext. Sig. In BNC

The External Signal In BNC connector allows you to add a voltage to the Reference 600's Signal Generator. This signal will be summed with the other signal generator sources including the IR DAC, the Scan DAC, and the DDS output.

The outer shell of the BNC is connected to the Reference 600's floating ground.

Caution
The shell of the Ext Sig In BNC is connected to the Reference 600's Floating Ground. Connection of this BNC to a piece of earth ground referenced equipment can compromise the Reference 600's ability to float and invalidate data collected on earth grounded cells.

The signal generator output is usually directly connected to the potentiostat's input. When the cell is turned on in potentiostat mode, the feedback is such that a negative signal generator output creates a positive differential electrometer signal, which corresponds to a negative working electrode versus reference electrode voltage.

The polarity of the External Signal In signal is inverted at the signal generator's output. As described above, a negative input signal on this BNC will create a positive change in the working electrode versus reference electrode voltage. The input impedance of this signal is 3 k Ω in parallel with 15 pF.

Sig Gen Out BNC

The Sign Gen Out BNC connector allows you to monitor the "signal generator" signal being sent from the Reference 600's controller board to the potentiostat board. This signal has a high bandwidth. The signal output range is -15 volts to +15 volts.

The outer shell of the BNC is connected to the Reference 600's floating ground.

Caution
The shell of the Ext Sig In BNC is connected to the Reference 600's Floating Ground. Connection of this BNC to a piece of earth ground referenced equipment can compromise the Reference 600's ability to float and invalidate data collected on earth grounded cells.

The Sig Gen Out BNC connector is lightly filtered using an RLC circuit. It has a bandwidth of approximately 3 MHz when connected to a high impedance input. This bandwidth will be further reduced if a coaxial cable is connected to the BNC. Its output impedance is approximately 200 Ohms in parallel with 220 pF.

Aux In BNC

The Aux In BNC connector allows you to measure a voltage from outside the Reference 600 using the Reference 600's internal A/D. The scaling is: ± 3 volts in equals ± 30000 A/D counts. This is a resolution of 100 μV per bit. The results will be reported in volts. The input is differential (see Appendix D).

The allowed input voltage range is -24 volts to $+24$ volts. Voltages outside this range could damage the Reference 600 circuitry.

Consult Appendix D for additional information concerning this connector.

Chapter 7 -- Stability in Potentiostat Mode

Capacitive Cells and Stability

All potentiostats can become unstable when connected to capacitive cells. The capacitive cell adds phase shift to the potentiostat's feedback signal (which is already phase shifted). The additional phase shift can convert the potentiostat's power amplifier into a power oscillator.

To make matters worse, almost all electrochemical cells are capacitive because an electrical double layer forms next to a conductor immersed in a solution.

Potentiostat oscillation is an AC phenomenon. However, it can affect both AC and DC measurements. Oscillation often causes excessive noise or sharp DC shifts in the system's graphical output. The Reference 600 Potentiostat can be stable on less sensitive current ranges and unstable on more sensitive current ranges. Whenever you see sharp breaks in the current recorded on the system, you should suspect oscillation.

The Reference 600 has been tested for stability with cell capacitors between 10 pF and 0.1 F. In all but its fastest control amp speed setting, it is stable on any capacitor in this range -- as long as the impedance in the reference electrode lead does not exceed 20 k Ω . With reference electrode impedances greater than 20 k Ω , the Reference 600 may oscillate. The RC filter formed by the reference electrode impedance and the reference terminal's input capacitance filters out the high frequency feedback needed for potentiostat stability.

Longer cell cables make the problem worse by increasing the reference terminal's effective input capacitance.

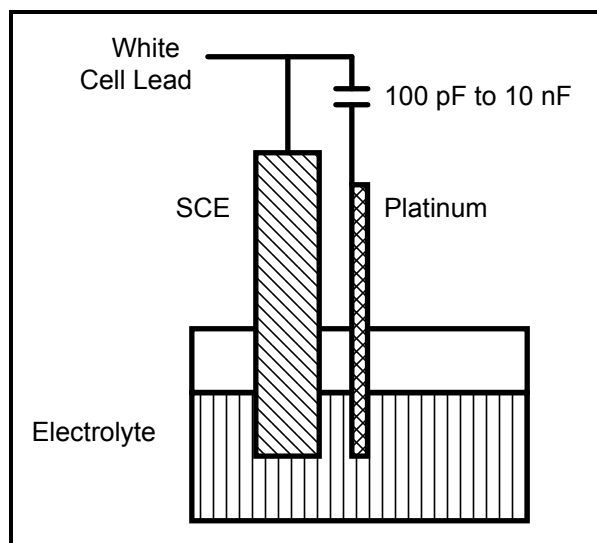
Even when the system is stable (not oscillating), it may exhibit ringing whenever there is a voltage step applied to the cell. The Reference 600's D/A converters routinely apply steps, even when making a pseudo-linear ramp. While this ringing is not a problem with slow DC measurements, it can interfere with faster measurements. The steps taken to eliminate potentiostat oscillation also help to minimize ringing.

Improving Potentiostat Stability

There are a number of things that you can do to improve an unstable or marginally stable Reference 600 potentiostat/cell system. This list is not in any particular order. Any or all of these steps may help.

- Slow down the potentiostat. The Reference 600 has five control amplifier speed settings, which can be selected in software. Slower settings are generally more stable.
- Increase the Reference 600's I/E stability setting. The Reference 600 includes three capacitors that can be paralleled with its I/E converter resistors. These capacitors are connected to relays that are under software control. Contact your local Gamry Instruments' representative for more information concerning changes in these settings.
- Lower the reference electrode impedance. Make sure that you don't have a clogged reference electrode junction. Avoid asbestos fiber reference electrodes and double-junction electrodes. Avoid small diameter Luggin capillaries. If you do have a Luggin capillary, make sure that the capillary's contents are as conductive as possible.
- Add a capacitively coupled low impedance reference element in parallel with your existing reference electrode. The classic fast combination reference electrode is a platinum wire and a junction isolated SCE. See Figure 7-1. The capacitor insures that DC potential comes from the SCE and AC potential from the platinum wire. The capacitor value is generally determined by trial and error.

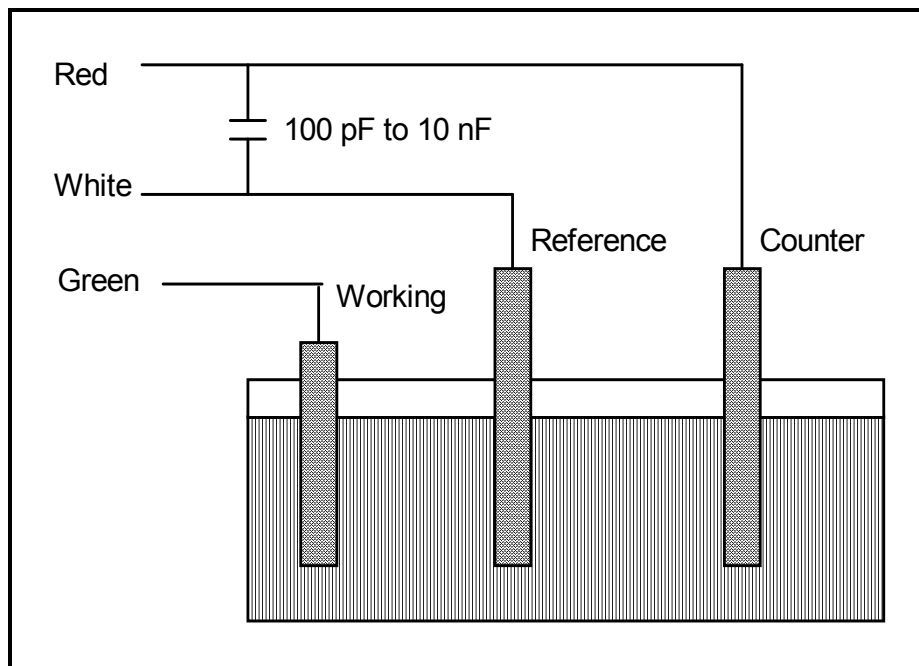
Figure 7-1
Fast Combination Reference Electrode



- Provide a high frequency shunt around the cell. A small capacitor between the red and white cell leads allows high frequency feedback to bypass the cell. See Figure 7-2. The capacitor value is generally determined by trial and error. One nF (1000 pF) is a good starting point.

In a sense, this is another form of an AC coupled low impedance reference electrode. The counter electrode is the low impedance electrode, eliminating the need for an additional electrode in the solution.

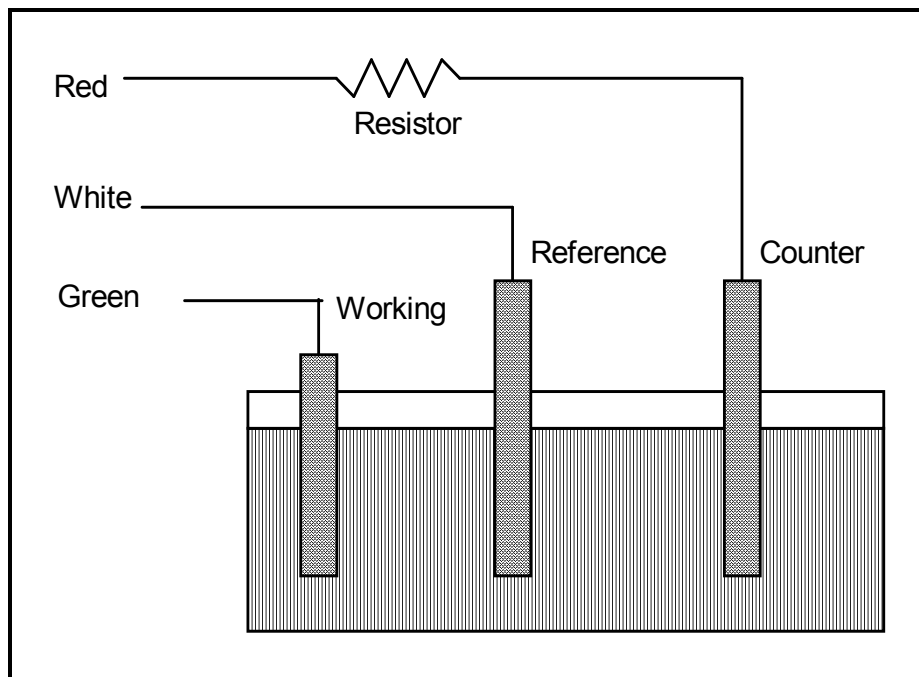
Figure 7-2
High Frequency Shunt



- Add resistance to the counter electrode lead. See Figure 7-3. This change lowers the effective bandwidth of the control amplifier. As a rule of thumb, the resistor should be selected to give one volt of drop at the highest current expected in the test being run. For example, if you expect your highest current to be around 1 mA, you can add a 1 k Ω resistor.

This resistor has no effect on the DC accuracy of the potentiostat. It can create problems in high-speed experiments such as fast CV scans or EIS, which need high bandwidth.

Figure 7-3
Resistor Added for Stability



Chapter 8 -- Measurement of Small Signals

Overview

The Reference 600 is a very sensitive scientific instrument. It can theoretically resolve current changes as small as 1 femtoamp (1×10^{-15} amps). To place this current in perspective, 1 fA represents the flow of about 6000 electrons per second!

The small currents measured by the Reference 600 place demands on the instrument, the cell, the cables and the experimenter. Many of the techniques used in higher current electrochemistry must be modified when used to measure pA currents. In many cases, the basic physics of the measurement must be considered.

This chapter will discuss the limiting factors controlling low current measurements. It will include hints on cell and system design. The emphasis will be on EIS (Electrochemical Impedance Spectroscopy), a highly demanding application for the Reference 600.

Measurement System Model and Physical Limitations

To get a feel for the physical limits implied by very sensitive current measurements, consider the equivalent circuit shown in Figure 8-1. We are attempting to measure the cell impedance given by Z_{cell} .

This model is valid for analysis purposes even though the real Reference 600 circuit topology differs significantly.

In Figure 8-1:

E_s	Is an ideal signal source
Z_{cell}	Is the unknown cell impedance
I_{cell}	Is the "real" cell current
R_m	Is the current measurement circuit's current measurement resistance
R_{shunt}	Is an unwanted resistance across the cell
C_{shunt}	Is an unwanted capacitance across the cell
C_{in}	Is the current measurement circuit's stray input capacitance
R_{in}	Is the current measurement circuit's stray input resistance
I_{in}	Is the measurement circuit's input current

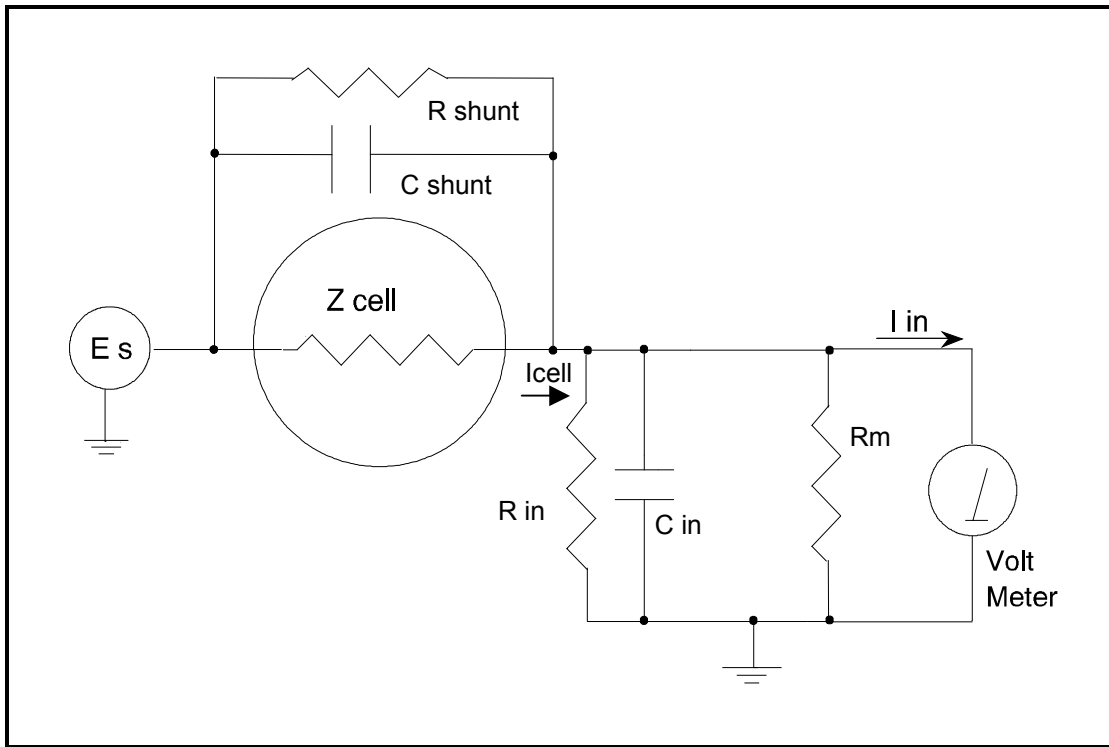
In the ideal current measurement circuit R_{in} is infinite while C_{in} and I_{in} are zero. All of the cell current, I_{cell} , flows through R_m .

With an ideal cell and voltage source, R_{shunt} is infinite and C_{shunt} is zero. All the current flowing into the current measurement circuit is due to Z_{cell} .

The voltage developed across R_m is measured by the meter as V_m . Given the idealities discussed above, one can use Kirchoff's and Ohm's law to calculate Z_{cell} :

$$Z_{\text{cell}} = E_s * R_m / V_m$$

Figure 8-1
Equivalent Measurement Circuit



Unfortunately technology limits high impedance measurements because:

- Current measurement circuits always have non-zero input capacitance, i.e. $C_{in} > 0$.
- Infinite R_{in} cannot be achieved with real circuits and materials.
- Amplifiers used in the meter have input currents, i.e. $I_{in} > 0$.
- The cell and the potentiostat create both a non-zero C_{shunt} and a finite R_{shunt} .

Additionally, basic physics limits high impedance measurements via Johnson noise, which is the inherent noise in a resistance.

Johnson Noise in Z_{cell}

Johnson noise across a resistor represents a fundamental physical limitation. Resistors, regardless of composition, demonstrate a minimum noise for both current and voltage, per the following equations:

$$E = (4 k T R \delta F)^{1/2}$$

$$I = (4 k T \delta F / R)^{1/2}$$

Where;

k = Boltzman's constant 1.38×10^{-23} J/°K

T = temperature in °K

δF = noise bandwidth in Hz

R = resistance in ohms.

For purposes of approximation, the Noise bandwidth, δF , is equal to the measurement frequency. Assume a 10^{11} ohm resistor as Z_{cell} . At 300 °K and a measurement frequency of 1 Hz this gives a voltage noise of 41 μV rms. The peak-to-peak noise is about 5 times the rms noise. Under these conditions, you can make a voltage measurement of ± 10 mV across Z_{cell} with an error of about $\pm 0.4\%$. Fortunately, an AC measurement can reduce the bandwidth by integrating the measured value at the expense of additional measurement time. With a noise bandwidth of 1 mHz, the voltage noise falls to about 1.3 μV rms.

Current noise on the same resistor under the same conditions is 0.41 fA. To place this number in perspective, a ± 10 mV signal across this same resistor will generate a current of ± 100 fA, or again an error of up to $\pm 0.4\%$. Again, reducing the bandwidth helps. At a noise bandwidth of 1 mHz, the current noise falls to 0.013 fA.

With E_s at 10 mV, an EIS system that measures 10^{11} ohms at 1 Hz is about 2 1/2 decades away from the Johnson noise limits. At 10 Hz, the system is close enough to the Johnson noise limits to make accurate measurements impossible. Between these limits, readings get progressively less accurate as the frequency increases.

In practice, EIS measurements usually cannot be made at high enough frequencies that Johnson noise is the dominant noise source. If Johnson noise is a problem, averaging reduces the noise bandwidth, thereby reducing the noise at a cost of lengthening the experiment.

Finite Input Capacitance

C_{in} in Figure 8-1 represents unavoidable capacitances that always arise in real circuits. C_{in} shunts R_m , draining off higher frequency signals, limiting the bandwidth that can be achieved for a given value of R_m . This calculation shows at which frequencies the effect becomes significant. The frequency limit of a current measurement (defined by the frequency where the phase error hits 45°) can be calculated from:

$$f_{\text{RC}} = 1 / (2 \pi f R_m C_{\text{in}})$$

Decreasing R_m increases this frequency. However, large R_m values are desirable to minimize the effects of voltage drift and voltage noise in the I/E converter's amplifiers.

A reasonable value for C_{in} in a practical, computer controllable, low current measurement circuit is 20 pF. For a 6 nA full scale current range, a practical estimate for R_m is 10^7 ohms.

$$f_{\text{RC}} = 1 / 6.28 (1 \times 10^7)(2 \times 10^{-12}) \approx 8000 \text{ Hz}$$

In general, one should stay two decades below f_{RC} to keep phase shift below one degree. The uncorrected upper frequency limit on a 6 nA range is therefore around 80 Hz.

One can measure higher frequencies using the higher current ranges (i.e. lower impedance ranges) but this would reduce the total available signal below the resolution limits of the "voltmeter". This then forms one basis of statement that high frequency and high impedance measurements are mutually exclusive.

Software correction of the measured response can also be used to improve the useable bandwidth, but not by more than an order of magnitude in frequency.

Leakage Currents and Input Impedance

In Figure 8-1, both R_{in} and I_{in} affect the accuracy of current measurements. The magnitude error due to R_{in} is calculated by:

$$\text{Error} = 1 - R_{\text{in}} / (R_m + R_{\text{in}})$$

For an R_m of 10^7 ohms, an error $< 1\%$ demands that R_{in} must be greater than 10^9 ohms. PC board leakage, relay leakage, and measurement device characteristics lower R_{in} below the desired value of infinity.

A similar problem is the finite input leakage current I_{in} into the voltage measuring circuit. It can be leakage directly into the input of the voltage meter, or leakage from a voltage source (such as a power supply) through an insulation resistance into the input. If an insulator connected to the input has a 10^{12} ohm resistance between +15 volts and the input, the leakage current is 15 pA. Fortunately, most sources of leakage current are DC and can be tuned out in impedance measurements. As a rule of thumb, the DC leakage should not exceed the measured AC signal by more than a factor of 10.

The Reference 600 uses an input amplifier with an input current of around 1 pA. Other circuit components may also contribute leakage currents. You therefore cannot make absolute current measurements of very low pA currents with the Reference 600. In practice, the input current is approximately constant, so current differences or AC current levels of less than one pA can often be measured.

Voltage Noise and DC Measurements

Often the current signal measured by a potentiostat shows noise that is not the fault of the current measurement circuits. This is especially true when you are making DC measurements. The cause of the current noise is noise in the voltage applied to the cell.

Assume that you have a working electrode with a capacitance of 40 μF . This could represent a 1 cm^2 polished bare metal immersed in an electrolyte solution. You can roughly estimate the capacitance of the electrical double layer formed by a metal/electrolyte interface as 20 $\mu\text{F}/\text{cm}^2$. The area is the microscopic area of the surface, which is larger than the geometric area, because even a polished surface is rough. The impedance of this 40 μF electrode, assuming ideal capacitive behavior, is given by:

$$Z = 1/j\omega C$$

At sixty Hertz, the impedance magnitude is about 66 Ω .

Apply an ideal DC potential across this ideal capacitor and you get no DC current.

Unfortunately, all potentiostats have noise in the applied voltage. This noise comes from the instrument itself and from external sources. In many cases, the predominant noise frequency is the AC power line frequency.

Assume a realistic noise voltage, V_n , of 10 μV (this is lower than the noise level of most commercial potentiostats). Further, assume that this noise voltage is at the US power line frequency of 60 Hz. It will create a current across the cell capacitance:

$$I = V_n/Z \approx 10 \times 10^{-6} / 66 \approx 150 \text{ nA}$$

This rather large noise current will prevent accurate DC current measurement in the low nA or pA ranges.

In an EIS measurement, you apply an AC excitation voltage that is much bigger than the typical noise voltage, so this is not a factor.

Shunt Resistance and Capacitance

Non-ideal shunt resistance and capacitance arise in both the cell and the potentiostat. Both can cause significant measurement errors.

Parallel metal surfaces form a capacitor. The capacitance rises as either metal area increases and as the separation distance between the metals decreases.

Wire and electrode placement have a large effect on shunt capacitance. If the clip leads connecting to the working and reference electrodes are close together, they can form a significant shunt capacitor. Values of 1 to 10 pF are common. This shunt capacitance cannot be distinguished from "real" capacitance in the cell. If you are measuring a paint film with a 100 pF capacitance, 5 pF of shunt capacitance is a very significant error.

Shunt resistance in the cell arises because of imperfect insulators. No material is a perfect insulator (one with infinite resistance). Even Teflon™, which is one of the best insulators known, has a bulk resistivity of about 10^{12} ohms•m. Worse yet, surface contamination often lowers the effective resistivity of good insulators. Water films can be a real problem, especially on glass.

Shunt capacitance and resistance also occur in the potentiostat itself. The Reference 600 Potentiostat Mode specifications in Appendix A contain equivalent values for the potentiostat's R_{shunt} and C_{shunt} . These values can be measured by an impedance measurement with no cell.

In most cases, the cell's shunt resistance and capacitance errors are larger than those from the potentiostat.

Hints for System and Cell Design

The following hints may prove helpful.

Faraday Shield

A Faraday shield surrounding your cell is mandatory for very low-level measurements. It reduces both current noise picked up directly on the working electrode and voltage noise picked up by the reference electrode.

A Faraday shield is a conductive enclosure that surrounds the cell. The shield can be constructed from sheet metal, fine mesh wire screen, or even conductive paint on plastic. It must be continuous and completely surround the cell. Don't forget the areas above and below the cell. All parts of the shield must be electrically connected. You will need an opening in the shield large enough to allow a cell cable to enter the shield.

The shield must be electrically connected to the Reference 600's floating ground terminal.

An additional connection of both the shield and the Reference 600 floating ground to an earth ground may also prove helpful.

NOTE

Only connect the Reference 600 ground to earth ground if all conductive cell components are well isolated from earth ground. A glass cell is usually well isolated. An autoclave is generally not well isolated.

Avoid External Noise Sources

Try to keep your system away from electrical noise sources. Some of the worst are:

- Fluorescent lights
- Motors
- Radio transmitters
- Computers and computer monitors

Try to avoid AC powered or computerized apparatus within your Faraday shield.

Cell Cable Length and Construction

The Reference 600 is shipped with a 60 cm shielded cell cable. We also offer extended length cables and unshielded cables as extra cost options.

Cell cables longer than 1 meter will result in degraded instrument performance. Increased noise and decreased stability both can occur. However, with most cells, the instrument will work acceptably with an extended cell cable, so our advice is go-ahead and try it. As a rule, you should not attempt to use current interrupt IR compensation with cell cables longer than 5 meters.

We do not recommend that you use the Reference 600 with any cables not supplied by Gamry Instruments. The Reference 600 cable is not a simple cable like a typical computer cable. The Reference 600 cable includes a number of individually shielded wires contained within an overall shield. We pay careful attention to issues such as shield isolation, isolation resistance, and capacitance.

If you do need a special cable, contact us with your requirements.

Lead Placement

Many experiments with the Reference 600 involve cells with small capacitances, the value of which may be important.

In these cases, the capacitance between the Reference 600's cell leads can result in an error. The Reference 600 alligator clips can have 10 pF or more of mutual capacitance if they are run alongside each other.

If you wish to avoid excessive capacitance:

- Place the leads as far apart as possible. Pay special attention to physical separation between the working electrode/ working sense leads and the counter/ counter sense/ reference electrode leads.
- Have the leads approach the cell from different directions.
- Remove the alligator clips from the leads. In extreme cases you can replace the banana plugs and pin jack with smaller connectors. If you do so, be careful not to compromise the isolation between the center conductor and the shield.

The cell leads must not be moved during an experiment measuring small currents. Both microphonic and triboelectric effects can create spurious results when the cell cables are moved.

Cell Construction

If you need to measure small currents or high impedances, make sure that your cell construction does not limit your response.

A cell where the resistance between the electrodes is only 10^{10} ohms cannot be used to measure 10^{13} ohm impedances. In general, glass and Teflon are the preferred cell construction materials. Even glass may be a problem when it is wet.

You also must worry about C_{shunt} . Make the "inactive" portion of your electrodes as small as possible. Avoid placing electrodes close together or parallel with each other if you are measuring high impedances.

Reference Electrode

Keep your reference electrode impedance as low as possible. High impedance reference electrodes can cause potentiostat instability and excessive voltage noise pickup.

Try to avoid:

- Narrow bore or Vycor tipped Luggin capillaries.
- Poorly conductive solutions - especially in Luggin capillaries.
- Asbestos thread and double junction reference electrodes.

Reference electrodes often develop high impedances as they see use. Anything that can clog the isolation frit can raise the electrode impedance. Avoid using saturated KCl based references in perchlorate ion solutions

Instrument Settings

There are several things to remember in setting up a very sensitive experiment.

- In EIS, use the largest practical excitation. Don't use a 10 mV excitation on a coated specimen that can handle 100 mV without damage.
- Avoid potentials where large DC currents flow. You cannot measure 1pA of AC current on top of 1 mA of DC current.

EIS Speed

In EIS, do not expect the Reference 600 to measure 10^{10} ohm impedances at 1 kHz. Many of the factors listed above limit the performance.

As a rule of thumb, the product of Impedance, Z, times frequency, f, should be less than 10^9 ΩHz for good EIS measurements with a Reference 600.

$$Z \cdot f < 10^9 \Omega\text{Hz}$$

Ancillary Apparatus

Do not use the Reference 600 with ancillary apparatus connected directly to any of the cell leads. Ammeters and voltmeters, regardless of their specifications, almost always create problems when connected to the Reference 600 cell leads.

Floating Operation

The Reference 600 is capable of operation with cells where one of the electrodes or a cell surface is at earth ground. Examples of earth grounded cells include: autoclaves, stress apparatus, pipelines, storage tanks and battleships. The Reference 600's internal ground is allowed to float with respect to earth ground when it works with these cells, hence the name floating operation.

Chapter 8 -- Measurement of Small Signals--Floating Operation

Instrument performance can be substantially degraded when the Reference 600 is operated in a floating mode. The instrument specifications only apply on isolated cells with the Reference 600 earth ground referenced (not floating).

Special precautions must be taken with the cell connections when the Reference 600 must float. Make sure that all the cell connections are isolated from earth ground. In this case, you must disconnect the chassis ground terminal of the Reference 600 from earth ground.

Finally, ancillary apparatus connected to the Reference 600 must be isolated. External voltmeters, ammeters, FRA's etc. must be isolated. This includes devices connected to the monitor connectors located on the Reference 600 rear panel.

Appendix A -- Reference 600 Specifications

All specifications are at an ambient temperature of 25 °C, with the Reference 600 powered using the external power supply shipped with the unit, a standard shielded 60 cm cell cable, and the cell enclosed in a Faraday shield. All specifications are after software calibration.

A numbered note qualifies many of the specifications. Many of these notes describe the method used to measure a specification. The notes are found at the end of this appendix.

All specifications are subject to change without notice.

Control Amplifier

Compliance Voltage	Min	± 22	volts	Note 1
Output Current	Min	± 600	mA	Note 2
Unity Gain Bandwidth	Typ	980, 260, 40, 4.0, 0.4	kHz	Notes 3, 4
Slew Rate	Typ	10, 4.5, 0.6, 0.06, 0.006	V/μsec	Notes 3, 4

Differential Electrometer

Max Input Voltage	Min	± 9	volts	Note 5
Input Current	Max	10	pA	Notes 5, 6
Input Resistance Differential (between inputs) Common Mode (input to ground)	Typ	100 1	TΩ	Note 7
Input Capacitance Differential (between inputs) Common Mode (input to ground)	Typ	0.2 12	pf	Note 7
Bandwidth (-3 dB)	Min	15	MHz	Note 7
CMMR DC to 100 kHz 100 kHz to 1 MHz	Min	80 60		Note 8

Voltage Measurement

A/D Full Scale Ranges	Typ	±12.0, ± 3.0	Volts	Note 9
Resolution	Typ	400, 100	μV/bit	
Zero Offset Error	Max	1	mV	Note 10
Gain Error	Max	0.2	%	Note 10
Offset Range	Typ	± 10	Volts	
Post- Offset Gain	Typ	1x, 10x, 100x		

Current to Voltage Converter

Maximum Full Scale Range		600	mA	Note 11
Minimum Full Scale Range		60 600 (after x100 gain)	pA fA	Note 11
Voltage across Rm	Typ	120	mV at full scale	Note 12
Output Voltage (at BNC and ADC in)	Typ	3.0	Volts full scale	
Input Offset Current	Max	10	pA	Note 13
Range Zero Offset	Max	0.05	% of range	Note 13
Gain Tolerance 600 mA to 6 nA ranges 600 pA range 60 pA	Max	0.2 0.75 1.5	% of reading	Note 13
Zero drift	Typ	0.03	% FS /°C	Note 14
Bandwidth 600 mA to 600 μA ranges 60 μA range 6 μA range	Typ	> 10 > 1.5 > 0.15	MHz	Note 15

Current Measurement

Resolution	Typ	0.00333...	% FS /bit	
Offset Range	Typ	± 100	% of range	
Post- Offset Gain	Typ	1x, 10x, 100x		
Accuracy	Typ	Dominated by current to voltage error (see above)		

Potentiostatic Mode

Applied Voltage Range	Min	± 11	volts	Notes 5, 6
Accuracy DC zero offset Gain	Max	1 0.2	mV % setting	Note 16
DC Bias	Typ	± 8	volts	
Scan DAC ranges	Typ	$\pm 6.4, \pm 1.6, \pm 0.4$	volts	
Drift	Max	< 20	$\mu\text{V}/^\circ\text{C}$	Note 17
Noise and Ripple 1 Hz to 1 kHz 1 Hz to 200 kHz	Typ	10 20	$\mu\text{V rms}$	Note 18

Galvanostatic Mode

Maximum Full Scale Current		± 600	mA	Note 11
Minimum Full Scale Current		60	pA	Note 11
Accuracy		Dominated by current to voltage converter accuracy shown above		
Sig Gen Voltage for Full Scale Current		± 3.0 volts		

Auxiliary A/D Input (see Appendix D)

Range (differential)	Typ	± 3	volts	
Input voltage range (either input)	Max	± 3.6	volts	
Gain Error	Max	0.2	%	
Input Impedance a) as shipped b) re-jumpered for high Z input	Typ	100 10	k Ω G Ω	Note 19

Auxiliary D/A Output

Range	Typ	0 to 4.096	volts	
Resolution	Typ	1	mV	

Environmental

Operating Temperature Range		0 to 45	$^\circ\text{C}$	
Relative Humidity	Max	90 (non-condensing)	%	
Storage and Shipping Temperature		-25 to 75	$^\circ\text{C}$	
Maximum Shipping acceleration		30	G	

General

Power Input Voltage	Range	22 to 26	volts	
Power	Max	50	W	
Leakage Current (floating, earthed Working Electrode)		± 1 nA		Note 20
Dimensions	Max	10 x 20 x 30	cm	Note 21
Weight	Max	2.5	kg	Note 21
Dimensions of External Power Adapter	Max	7.5 x 3.5 x 15	cm	Note 22
Weight of External Power Adapter	Max	400	grams	Note 22

NOTES:

1. Measured in galvanostatic mode with a high wattage 200 Ω load connected from counter electrode lead to the working electrode lead. The compliance voltage is measured using an external voltmeter across the 200 Ω load. Under these conditions, the output current is approximately 115 mA.
2. Measured with a precision 4-terminal 2 Ω load, in potentiostatic mode.
3. Unity gain bandwidth and slew rate are correlated. Each has five settings, with the highest slew-rate occurring at the highest bandwidth, down to the lowest slew-rate occurring at lowest bandwidth. Both are measured with 20 k Ω between counter and reference and 100 Ω between the reference and the working and working sense leads
4. Measured with an external function generator connected to the Ext Sig In BNC.
5. The Differential Electrometer Amps are Analog Devices AD8065 Op amps specially selected for low V_{os} drift versus temperature. These amps have a dual input stage, with a JFET input over most of their input range and a bipolar transistor input at input voltages greater than + 9.5 volts. They are only a high impedance buffer from -12 volts to +9.5 volts, though they are a unity gain buffer over their whole input voltage range.
6. The input current of the JFET inputs on the AD8065s is less than 6 pA. When the Bipolar input is operative, the input current can be in the microamps. The specified current is only applicable at voltages of 2 volts or less.
7. The differential impedance is measured between the Reference and Work Sense inputs. This is the impedance you measure when you record the EIS spectrum of an infinite impedance cell.

There is also a common mode resistance and capacitance associated with the differential electrometer inputs. These values tell you how much the electrometer response is modified by a resistance in series with the source.

8. The bandwidth is for a sine-wave source with a 50 Ω output impedance driving either input. The bandwidth is well in excess of this specification, which is limited by the measurement equipment used in testing the Reference 600.
9. CMRR is common mode rejection ratio. It specifies the ability of the differential electrometer to reject signals connected to both inputs. The CMRR is measured driving both inputs with a sine-wave source with a 50 Ω output impedance, and measuring the error as a function of frequency. Resistance in either input will cause a loss of CMRR.
10. Voltage measurement is actually performed with a ± 3 volt signal input to the ADC signal chain. A $\div 4$ attenuator divides down higher voltage electrometer outputs so they fit into a ± 3 volt input, thus making a ± 12 volt full scale range.

11. The total error in a voltage measurement is:

$$\text{Error} = \text{Zero Offset Error} + \text{Gain Error} * \text{Voltage}$$

For a 1 volt signal the error can be as high as 3 mV.

12. There are 11 hardware current ranges, separated in sensitivity by decades. The ranges are 60 pA, 600 pA, 6 nA, ... 60 mA, 600 mA full scale. The x10 and x100 gains add two virtual ranges of 6 pA and 600 fA full scale.
13. The voltage across the current measurement resistor, R_m , is as shown. Slightly higher voltages may be seen at the working electrode terminal on the cell cable, since the cable has both resistive and inductive impedance.
14. The total error in a current measurement is:

$$\text{Error} = \text{Input Current Offset} + \text{Range Zero Offset} * \text{FS Current} + \text{Gain Tolerance} * \text{Measured Current}$$

For small currents (pA) the first term is usually dominant.

For large currents (uA), the first term can usually be ignored.

The units for the error are amps.

15. Drift can be approximated by simple drift in the Range Zero Error. In reality all three terms in the equation above can have drift.
16. The Current to Voltage converter bandwidth is a function of the current range, the cell cable, and the IEstability setting. The bandwidth can be very low on very sensitive ranges. Longer cell cables add capacitance and slow the current measurement.
17. The total error in a voltage setting is:

$$\text{Error} = \text{DC Zero Offset} + \text{Gain} * \text{Voltage Setting}$$

For a 1 volt signal the error can be as high as 3 mV.

18. This specification is guaranteed by design. It is not tested.
19. This specification is measured by applying zero voltage across a 1 Ω resistor and measuring current noise on the 600 μA scale. 1 μV of voltage noise will create a current of 1 μA . The filters in the ADC Chain for the I Signal are used to limit the bandwidths as shown in the spec.

Signal averaging via Gamry's DSP mode will further reduce the measured noise.

20. See Appendix D.
21. Isolation quality has both DC factors and AC factors (predominately at the 300 kHz power supply frequency). Only the DC leakage current is shown here. Consult Gamry's technical support for additional information.
22. Excluding external power adapter and any cables supplied with unit.
23. Excluding removable line cord.

Appendix B -- Reference 600 Cell Connector

Chapter 5 describes the connections between a cell cable and an electrochemical cell. This appendix describes the other end of the cell cable.

Multiple pins assigned to the same signal are connected together on the Reference 600's Potentiostat board. If you need to connect this signal outside the Reference 600, you need a wire connected to any one of the D connector pins.

Table B-1
Cell Connector

Pin(s)	Signal Name	Use
1	Working Sense	Connected to the working electrode in most cases (see Chapter 5). This lead has a 261 Ohm resistor in the cell end of the cable. Custom cell cables are likely to require a similar resistor.
2, 14	WS Shield	The shield for the working sense input. Driven to the same potential as Pin 1. Left open at the cell end of the cell cable.
3, 4, 15, 17	Reference Shield	The shield for the reference electrode input. Driven to the same potential as Pin 16. Left open at the cell end of the cell cable.
5, 7, 10, 11, 18, 19, 22, 24	Ground	The potentiostat's floating ground. Can be used to shield the cell if very low currents need to be measured. Also used as a shield for the counter electrode cable.
6	Counter Sense	With a Reference 600, used to sense the potential of the counter electrode. Allows accurate ZRA mode even with significant cell current through counter lead's resistance.
8	CBL_ID1	One of 4 cable ID bits. Used to identify the type of cell cable attached to the unit. Pull to a logic High through a resistor. Ground to set the bit low.
9	CBL_ID2	One of 4 cable ID bits. Used to identify the type of cell cable attached to the unit. Pull to a logic High through a resistor. Ground to set the bit low.
12, 25	Work Shield	The shield for the working electrode input. Connected to Floating Ground . Left open at the cell end of the cell cable.
13	Working Electrode	Connected to the working electrode. The cell current flows through this pin.
16	Reference Electrode	Connected to the reference electrode in most cases (see Chapter 5). This lead has a 261 Ohm resistor in the cell end of the cable. Custom cell cables are likely to require a similar resistor.
20	CBL_ID0	One of 4 cable ID bits. Used to identify the type of cell cable attached to the unit. Pull to a logic High through a resistor. Ground to set the bit low.
21	CBL_ID3	One of 4 cable ID bits. Used to identify the type of cell cable attached to the unit. Pull to a logic High through a resistor. Ground to set the bit low.
23	Counter Electrode	Connected to the cell's counter electrode. The cell current flows through this connection.

Caution

Designing cell cabling for a 1 MHz potentiostat is not a trivial task. Gamry Instruments does not recommend user designed cables (except as a last resort). In many cases we can build a custom cable to meet your specific needs. We'll also be happy to discuss your cabling requirements and give you assistance if you must design and build your own cell cable.

Appendix C -- Misc I/O Connector

This connector contains a number of signals, used to interface the Reference 600 to external apparatus. It is the miniature 15 pin female D shaped connector on the rear panel of the Reference 600. Be careful, the ground pins on this connector are isolated from both the Reference 600 floating ground and Earth ground.

The metal shell of the D-connector is connected to the Reference 600's Floating Ground. Improper User I/O connections can damage an Reference 600 that is connected to a high energy cell containing earth grounded terminals.

The auxiliary analog output, derived from a D/A converter, is on this connector. The scaling is normally 1 mV per bit, for a 0 to 4.096 volt full-scale range.

The pin out of this connector is shown in Table C-1.

Table C-1
Miscellaneous I/O Connector

Pin	Name	Use
1	Analog Output High	The auxiliary output signal (DAC output).
2	Analog Output Low	The auxiliary output ground connection (ground)
3	Sync In	Used in slave mode – starts data acquisition 2.2 k Ω input impedance
4	Sync Out	A TTL pulse output before the start of a data point 330 Ω output impedance
5	no connection	
6	Ground	Digital ground
7	Digital Out 0	A TTL compatible digital output- 330 Ω output impedance
8	Digital Out 1	A TTL compatible digital output- 330 Ω output impedance
9	Digital Out 2	A TTL compatible digital output- 330 Ω output impedance
10	Digital Out 3	A TTL compatible digital output- 330 Ω output impedance
11	Digital In 0	A TTL compatible digital input- 2.2 k Ω input impedance
12	Digital In 1	A TTL compatible digital input- 2.2 k Ω input impedance
13	Digital In 2	A TTL compatible digital input- 2.2 k Ω input impedance
14	Digital In 3	A TTL compatible digital input- 2.2 k Ω input impedance
15	+5 Volts	Power- 50 mA maximum current

Caution

Floating operation of the Reference 600 can be compromised by improper cabling to the User I/O Connector. We do not recommend use of standard 15-pin shielded cables with this connector. Custom cables with the shield connected to pin 6 of the D-connector are preferred.

Appendix D -- Auxiliary A/D Input Characteristics

The Controller board used in the Gamry Instruments Reference 600 Potentiostat has jumpers or switches that configure the input circuitry used for the Aux A/D function. Early units have jumpers and later units have CMOS switches set using software. The changeover occurred in 2009.

We usually ask that you return your Reference 600 to Gamry Instruments if you need to change the hardware jumpers. This information is provided so a qualified service technician can change the Aux A/D input jumpers in the field.

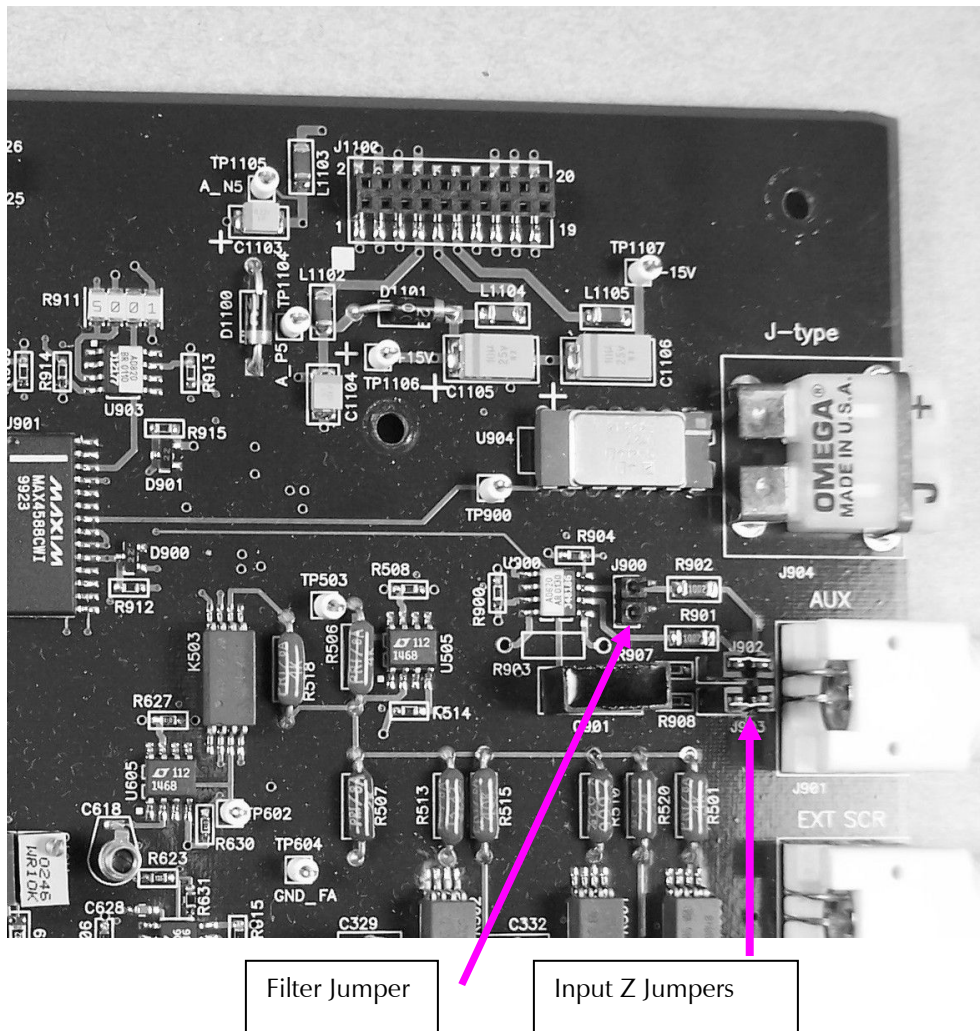
The CMOS switches are set using a function call in an Explain script. Once the CMOS switches are set, they remain in the selected position until another script resets them. Note that the settings will return to their default values on reset or Power Up of the Reference 600.

Call or Email your local Gamry representative if you need to change your Auxiliary A/D input characteristics and you are uncertain which type of control board you have.

Jumper Identification

The three jumpers that configure the Aux A/D input are in a cluster located at the upper right side of the Controller Card. See the figure below for jumper locations.

Figure D-1
Auxiliary A/D Input Configuration Jumpers
View of Reference600 Controller Board



Input Impedance Selection

Two jumpers are associated with the input impedance – J902 and J903. With J902 and J903 installed, the Aux A/D input has 100 k Ω input impedance. This is the default setting. With the jumpers installed, the potentiostat can be calibrated without a cable on the input BNC connector.

With both J902 and J903 removed, the Aux A/D input impedance is 10 G Ω (typically). This setting is suitable for use with a high impedance source such as a reference electrode. If you have removed these jumpers, do not calibrate the potentiostat unless you have a cable connecting both Aux A/D inputs to floating ground.

The CMOS switch shorts the circuit nodes connected by these jumpers. As with the jumpers, in the Low Impedance setting, the input impedance is set to 100 k Ω . In the high impedance setting, the CMOS switches are opened increasing the input impedance to about 10 G Ω .

Bandwidth Selection

J900 (or on some boards J901) controls the bandwidth of the Aux A/D input. With J900 (or J901) removed, there is no filtering on this input and the –3 dB bandwidth is greater than 300 kHz.

With J900 (or J901) in place (the default setting), a single pole RC filter is used to limit noise into the A/D. The nominal cutoff frequency of this filter is 20 Hz.

Note that source impedances greater than 1 k Ω will appreciably lower this cutoff frequency. When the Aux A/D input is driven by a source with an output impedance of 1 M Ω , the frequency cutoff will be less than 0.25 Hz.

The CMOS switch performs the same function as the jumper.

Aux A/D Specifications

Range	± 3.276 volts	
Input Impedance	100 k Ω (approx)	Low Impedance Selected
	or	
	10 G Ω (typical)	High Impedance Selected
Input Bias Current	< 10 nA	High Impedance selected
Filter Cutoff	20 Hz \pm 20%	With Low Bandwidth selected

Function Call to Set the Aux A/D BNC Characteristics

The CMOS switch is set using an Explain function call. The syntax of this call is:

```
Pstat.SetAuxBNCSettings (Impedance, Bandwidth)
```

Both variables passed to the function are Booleans (with a value of TRUE or FALSE).

The following definitions can be used to make a script that calls this function more readable.

```
#define SETAUXBNCSETTINGS_IMPEDANCE_HIGH TRUE
#define SETAUXBNCSETTINGS_IMPEDANCE_LOW FALSE

#define SETAUXBNCSETTINGS_BANDWIDTH_HIGH TRUE
#define SETAUXBNCSETTINGS_BANDWIDTH_LOW FALSE
```

A TRUE in the Impedance variable opens the switches across J902 and J903, selecting high input impedance. A FALSE selects 100 k Ω input impedance.

A TRUE in the Bandwidth variable opens the switch across J901, selecting high bandwidth. A FALSE selects a low pass filter at nominally 20 Hz.

Appendix E – CE Certificate



Declaration of Conformity

According to ISO/IEC Guide 22 and CEN/CENELEC EN 45014

Manufacturer's Name and Location:

Gamry Instruments
734 Louis Drive
Warminster, PA 18974
USA

This declaration is for the Gamry Instruments product models: Reference 600 Potentiostat/Galvanostat/ZRA.


The declaration is based upon compliance with the following directives:

EMC Directive 89/336/EEC as amended by 92/31/EEC and 93/68/EEC
Low Voltage Safety Directive 73/23/EEC as amended by 93/68/EEC

The declaration is based upon product compliance with the following standards as defined in report number R0295-000 from Ergonomics, Inc. for safety analysis and report number RSI-2772L from Radiation Sciences, Inc. for EMC test and analysis.

EMC Standards	Title	Class/ Criteria
EN 61000-4-2	EMC – Electrostatic discharge, Immunity	B
EN 61326:2002-2	EMC – Radiated Emissions	A

Low Voltage Directive Safety Standards	Title
EN 61010-1:2001	Safety requirements for electrical equipment for measurement, control and laboratory use, Part 1: General requirements.
EN 61010-2-081: 6/2003	Safety requirements for electrical equipment for measurement, control and laboratory use, Part 2 Particular requirements for automatic and semiautomatic laboratory equipment for analysis and other purposes



Signature

September 29, 2005
Date

Dr. Gregory A. Martinchek, PhD
Title: President

Formal signed declaration is on file at Gamry, Inc.

Certificate of Conformance



CERTIFICATE OF CONFORMANCE



Applicant: Gamry Instruments, Inc.
734 Louis Drive
Warminster, PA 18974

Equipment Under Test: REF 600

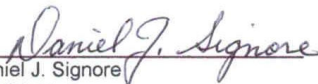
Model No.: PC5-600

Serial Numbers: 01002 (Shielded)
01022 (Unshielded)

PO# 2205-0391
Test Report No.: RSI-2772L
Test Date(s): 11 August through 15 August 2005

RADIATION SCIENCES INC. CERTIFIES THAT: The referenced equipment was tested to the specifications as detailed below. Detailed test results can be found in the referenced test report.

<u>Emission Specification(s)</u>	<u>Test Result</u>
IEC 61326 (Radiated Emissions)	PASS
 <u>Immunity Specification(s)</u>	
IEC 61326 (ElectroStatic Discharge)	PASS


Daniel J. Signore
President
Radiation Sciences Inc.

16 Nov. 2005
Date

Radiation Sciences Inc., 3131 Detwiler Rd, Harleysville, PA. 19478 (215) 256-4133

Comprehensive Index

25 pin D, 4-6

AC adapter, 1-1
 ADC channels, 3-5
 air-cooling, 1-3
 alligator clip, 5-2
 ancillary apparatus, 8-8
 authorization code \c chapter, 4-11
 Aux A/D, 12-1
 Aux In BNC, 6-7
 auxiliary electrode, 5-1

black banana, 5-1
 blue cell lead, 5-1

calibration, 4-15
 calibration data, 3-7
 capacitive cells, 7-1
 CE Compliance, 1-6
 cell cable, 5-1
 replacements and specials, 5-2
 ZRA connections, 5-2
 cell connector, 4-6
 Cell Connector, 6-1, 10-1
 cell construction materials, 8-7
 Cell LED, 6-2
 Chassis Ground, 6-4
 cleaning, 1-5
 computer, 2-2
 computer requirements, 4-3
 computers - noise, 8-6
 contract engineering, i
 Control Overload, 6-2
 conventions
 notational, 2-2
 counter electrode, 5-1
 Counter Electrode, 10-1
 Counter Sense, 10-1

data storage, 3-7
 DC voltage, 3-8
 DDS, 3-4
 double insulation, 1-1, 4-2

E Monitor BNC, 6-6
 E Overload, 6-2
 earth ground, 1-2, 8-6, 8-8
 EasyUSB, 3-7

EIS speed, 8-7
 electrical noise, 8-6
 electrical transients, 1-5
 electrons per second, 8-1
 enclosed space, 1-4
 environmental limits, 1-4
 environmental stress, 1-4
 External Signal, 6-7

 fans, 1-3
 Faraday shield, 5-2, 8-5
 filters, 3-5
 firmware download, 6-2
 firmware update, 4-13
 floating ground, 5-1
 Floating Ground, 6-4
 floating ground binding post, 1-2
 floating operation, 8-8
 fluorescent lights, 8-6

Gamry Framework, 2-1
 green cell lead, 5-1
 ground, 10-1

Help system, 2-1
 high frequency shunt, 7-3
 high speed USB, 6-4
 hints – cell design, 8-5

I Monitor BNC, 6-6
 I Overload, 6-3
 I/O connector, 6-5
 input capacitance, 8-1
 input current, 8-1
 input impedance, 8-1
 input leakage current, 8-4
 inspection, 1-1
 installation, 4-1
 Instrument Manager, 4-10

Johnson noise, 8-2

lead capacitance, 8-6
 lead placement, 8-6
 low I range dc calibration, 4-16
 Luggin capillaries, 8-7
 Luggin capillary, 7-2

materials, 8-7
 measurement system model, 8-1
 membrane cell connections, 5-3
 Misc I/O connector, 6-5

Misc I/O Connector, 11-1

miscellaneous I/O connector, 11-1

motors, 8-6

Multiple Potentiostat Systems, 4-6

noise, 8-4

operation, 1-4

orange lead, 5-1

oscillation, 7-1

Overload LED, 6-2

power brick, 1-1

Power Connection, 4-4

Power Cord, 4-4

Power In, 6-3

power LED, 4-5

Power LED, 6-1

power line transient, 1-6

Power PC, 3-7

Power PC firmware, 3-7

Power switch, 4-5

Power Switch, 6-4

power-up self-test, 4-5

Problems, i

radio frequency, 1-5

radio transmitters, 8-6

red cell lead, 5-1

Reference 600 – manual overview, 2-1

reference electrode, 5-1

Reference Electrode, 10-1

reference electrode impedance, 8-7

reference electrodes, 8-7

Refernce 600 - about, 2-1

RFI, 1-5

ringing, 7-1

safety, 1-1

schematic, 3-1

service, 1-5

service contract, i

shielding against noise, 1-2

Sign Gen Out, 6-7

small signals, 8-1

software calibration, 9-1

specifications, 9-1

stability, 7-1

state-machine, 3-5

static electricity, 1-5

storage, 1-4

support, i

telephone assistance, i

temperature, 1-3

thermocouple, 6-4

Universal Dummy Cell, 4-15

USB cable, 4-5

USB firmware, 3-7

USB LED, 4-6, 6-1

USB port, 6-4

ventilation, 1-4, 4-2

Visual Inspection, 4-2

voltage noise, 8-4

Warranty, ii

WE Shield, 10-1

white cell lead, 5-1

Windows Update, 4-7

working electrode, 5-1

Working Electrode, 10-1

Working Sense, 10-1

WS Shield, 10-1

ZRA

cell connections, 5-2