

REVISIONS							
ZONE	REV	DESCRIPTION	DATE	IFTR	CHKR	DSNR	APPD
B2,3	A	CHANGED: WIRE NO. 33 WAS #18 AWG/GRY; WIRE NO. 34 WAS #18AWG/BLU. DELETED: 1,2DE BETWEEN 1INST AND 1FS. ECO 14721	4-18-00	BAJ	BAM	--	JMF
D4	B	ADDED: GROUND WIRE NUMBER 39. ECO 18236	7-06-01	BAJ	DAY	--	JAS
C4	C	ADDED: GROUND WIRE NUMBER 40. ECO 18661	2-18-05	JAS	BJ	--	JAS
C3	D	CORRECTED: WIRE NO. 36/18/BLK WAS SHOWN AS 37/18/YEL. ECO 18635	3-16-05	BAJ	BSM	--	JAS

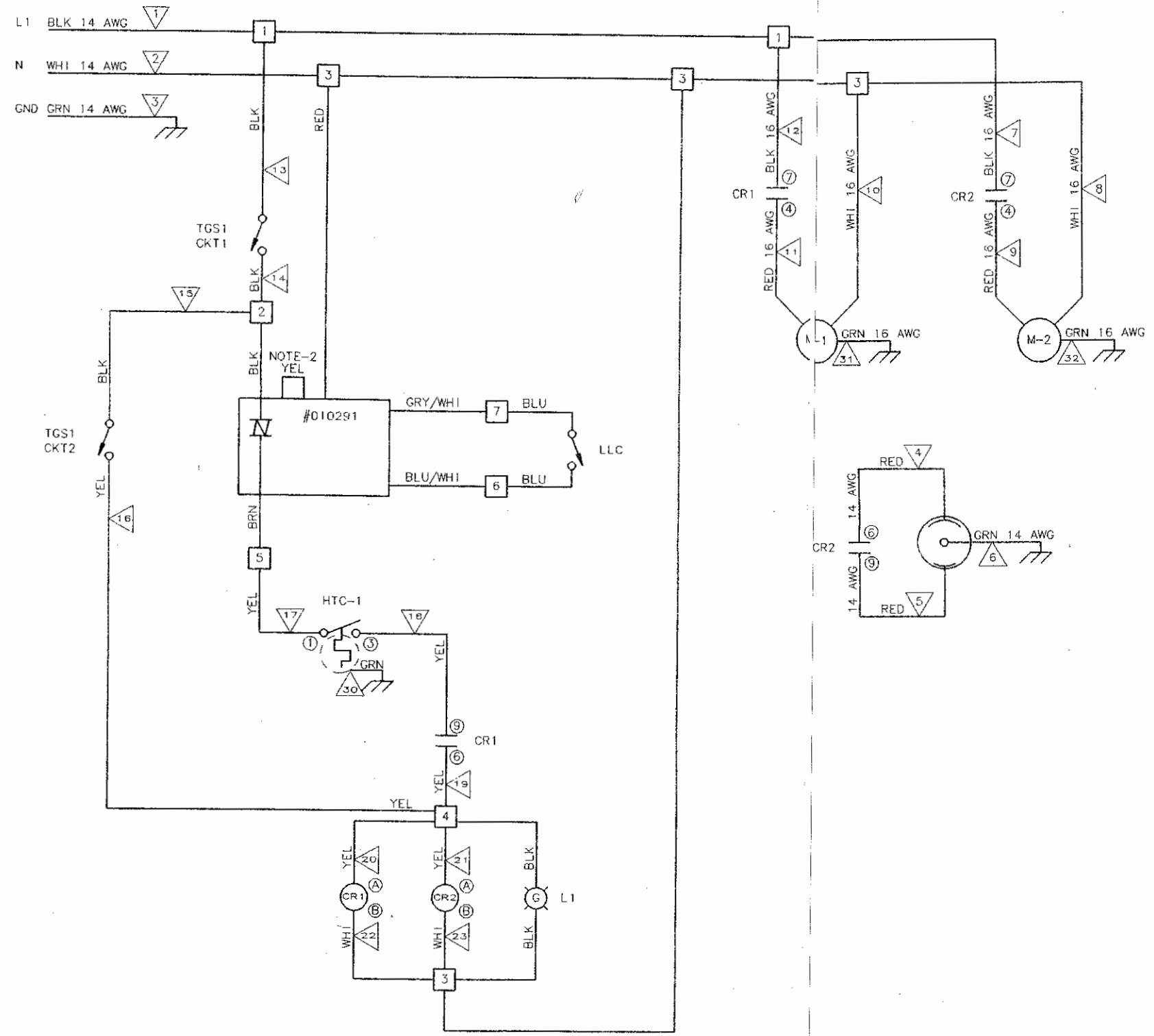
NOTE:

1.

CONTACT TYPE	MANUFACTURERS	
	MAGNECRAFT POTTER AND BRUMFIELD	MIDTEX
COM1	PIN DESIGNATION 7	PIN DESIGNATION 5
NC1	PIN DESIGNATION 1	PIN DESIGNATION 1
NO1	PIN DESIGNATION 4	PIN DESIGNATION 3
COM2	PIN DESIGNATION 9	PIN DESIGNATION 6
NC2	PIN DESIGNATION 3	PIN DESIGNATION 2
NO2	PIN DESIGNATION 6	PIN DESIGNATION 4
COIL 1,2	PIN DESIGNATION A,B	PIN DESIGNATION A,B

P/J2	CONNECTOR, PLUG/JACK	006538	
P/J1	CONNECTOR, PLUG/JACK	006103	
1TAS	TEMPERATURE ACTUATED SW	-----	HIGH TEMPERATURE CUTOUT
1SW-2	SWITCH, MOMENTARY	-----	
1SW-1	SWITCH, TOGGLE	-----	
1RECP	RECEPTACLE	-----	
2MTR	MOTOR, PUMP	-----	

REVISIONS					
ZONE	REV	DESCRIPTION	DATE	BY	CHKD
	A	CHANGED LTC TO HTC PER RES	3-18-88	REM	X
	B	ADDED TERMINAL STRIP	9-28-88	REM	X
	C	ADDED LLC & TERMINAL STRIP TO NOMENCLATURE BLOCK.	8-4-87	MAD	JB
	D	REDRAWN - ADDED WIRE IDENTIFIERS & NOTE-2.	1-17-89	JB	RJS
	E	ADDED WIRE IDENTIFIERS 30, 31, & 32.	2-8-90	JB	RJS
	F	REMOVED WIRES 24 AND 25 OFF "LLC" AND CONN. 7 & 8 [DCS100S1].	2-27-93	PM	JK



NOTES:

1. ALL WIRE IS #18 AWG UNLESS OTHERWISE SPECIFIED.
2. YEL JUMPER WIRE SHOULD BE SOLDERED IN PLACE FOR 115 VOLT APPLICATION.

<input type="checkbox"/>	TERMINAL STRIP IDENTIFIER		
<input type="checkbox"/>	WIRE KIT IDENTIFIER		
HTC-1	HIGH TEMPERATURE CUTOUT		
L-1	POWER ON		
M-1	PUMP MOTOR		
M-2	PUMP MOTOR		
TGS1CKT1	SWITCH 1, TOGGLE		
TGS1CKT2	SWITCH 1, MOMENTARY		
CR1	CONTROL RELAY		
CR2	CONTROL RELAY		
LLC	LOW LEVEL CUTOUT		
ZONE	SYM	QTY	NOMENCLATURE
			PART NO
			SPECIFICATION/VENDOR

THIS INFORMATION IS CONFIDENTIAL AND IS DISCLOSED TO YOU ON CONDITION THAT NO FURTHER DISCLOSURE IS MADE TO YOU TO OTHER THAN NESLAB PERSONNEL WITHOUT WRITTEN AUTHORIZATION FROM NESLAB INSTRUMENTS.

UNLESS OTHERWISE SPECIFIED DIMENSIONS ARE IN INCHES	TOLERANCES ARE: .XXX +/- .005 .XX +/- .015 FRACT. +/- 1/64" ANGLES +/- .5°	DRAWN: J. BEAUDOIN DATE: 1-17-89 CHK'D: R. SCHULTZ DATE: 1-17-89 APP'D: W. VOGT DATE: 1-18-89	DATE: 1-17-89 DATE: 1-17-89 DATE: 1-18-89	 25 HINBLE HILL RD. NEWINGTON, NH 03801	FILE: SYSTEM-11 SINGLE (2) PUMPS 115V/60Hz
SIZE:		DRAWING NO:			