

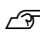
Replacing Consumables

Replacing Ink Cartridges

If one of the installed ink cartridges is expended, printing cannot be performed. If an ink low warning is displayed, we recommend replacing the ink cartridge(s) as soon as possible.

If an ink cartridge runs out while printing, you can continue printing after replacing the ink cartridge. However, when replacing ink during a print job, you may see a difference in color depending on the drying conditions.

Supported ink cartridges

 [“Options and Consumable Products” on page 197](#)

How to replace

You can use the same procedure to replace all ink cartridges.



Important:

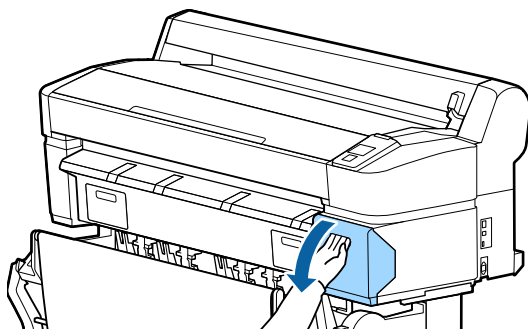
Epson recommends the use of genuine Epson ink cartridges. Epson cannot guarantee the quality or reliability of non-genuine ink. The use of non-genuine ink may cause damage that is not covered by Epson's warranties, and under certain circumstances, may cause erratic printer behavior. Information about non-genuine ink levels may not be displayed, and use of non-genuine ink is recorded for possible use in service support.

1

Make sure the printer is on.

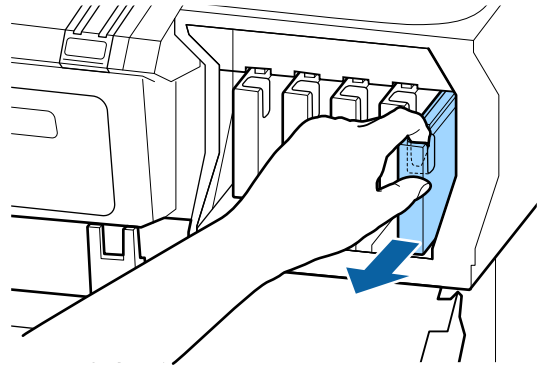
2

Open the cartridge cover.



3

Hook a finger into the indentation on the top of the cartridge and pull it straight toward you.

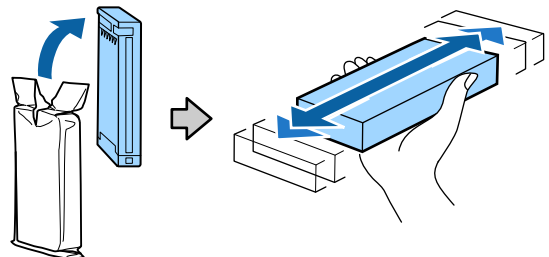


Important:

Removed ink cartridges may have ink around the ink supply port, so be careful not to get any ink on the surrounding area when removing the cartridges.

4

Remove the new ink cartridge from the bag. Shake the ink cartridge for 10 seconds 30 times horizontally in approximately 5 cm movements as shown in the illustration.



Important:

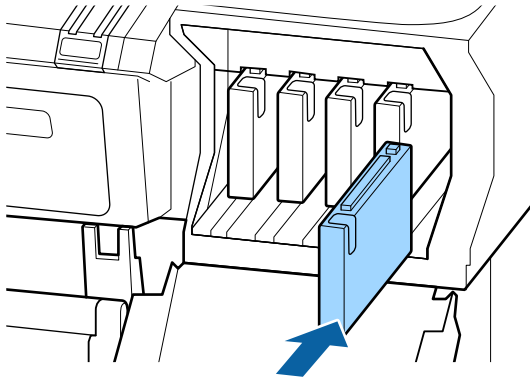
Do not touch the IC chips on the ink cartridges. You may not be able to print properly.

5

Holding the cartridge with the label out, slide it all the way into the slot.

Maintenance

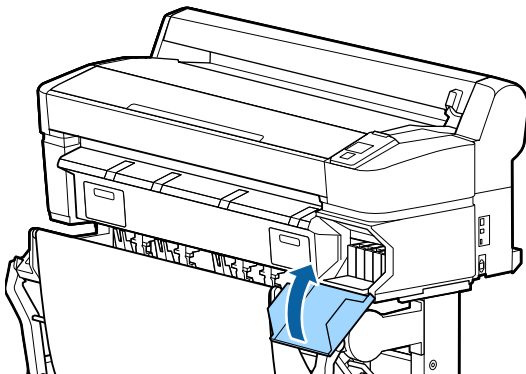
Match the color of the cartridge to the color of the label on the printer.



Repeat Steps 3 to 5 to replace other ink cartridges.

! **Important:**
Install all ink cartridges into each slot. You cannot print if any of the slots are empty.

6 Close the cartridge cover.



! **Important:**
We recommend that you remove and shake the installed ink cartridges once every three months to ensure print quality.

Replacing Ink Maintenance Tanks

If the message **Not Enough Space** is displayed, replace the specified Ink Maintenance Tank.

Supported Ink Maintenance Tanks

[“Options and Consumable Products” on page 197](#)

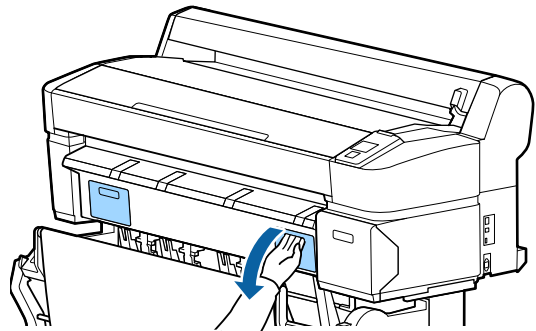
! **Important:**
Do not reuse Ink Maintenance Tanks that have been removed and left out in the open for a long period of time. The ink on the inside will be dry and hard and will be unable to absorb enough ink.

How to replace

Some models of printer have Ink Maintenance Tanks on both the left and right sides, but the procedure for replacing the boxes is the same in all cases.

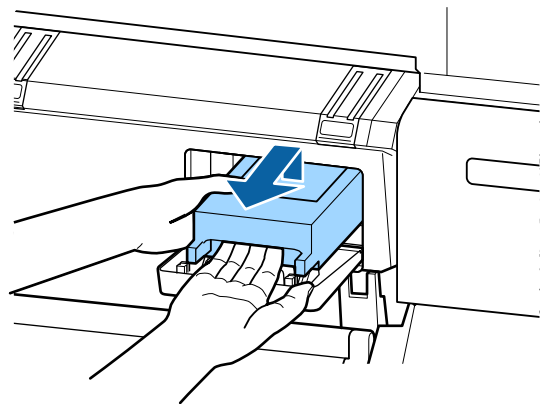
! **Important:**
Do not replace the Ink Maintenance Tank while printing. Waste ink may leak.

1 Open the ink maintenance tank cover.



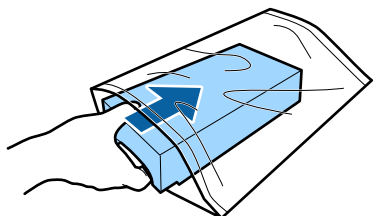
2 Pull the Ink Maintenance Tank out.

Lifting the Ink Maintenance Tank up releases the lock, and you can simply pull it straight out.

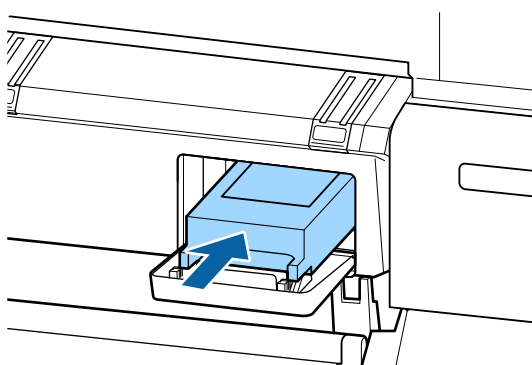


Maintenance

- 3 Place the used Ink Maintenance Tank in the clear bag included with your new Ink Maintenance Tank, and make sure that the zipper is closed tight.



- 4 Install the new Ink Maintenance Tank.



Important:

Do not touch the IC chip on the Ink Maintenance Tank.

Doing so may prevent normal operation and printing.

- 5 Close the ink maintenance tank cover.

Replacing the Cutter

Replace the cutter when it is not cutting paper cleanly.

Supported cutter

 [“Options and Consumable Products” on page 197](#)

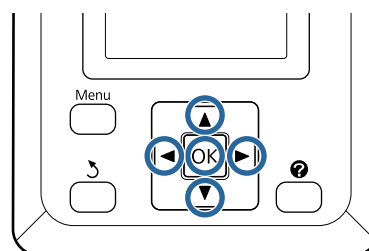
Use a cross-head screwdriver to replace the cutter. Make sure you have a cross-head screwdriver with you before replacing the cutter.




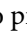


Important:

Take care not to damage the cutter blade. Dropping it or knocking it against hard objects may chip the blade.

Buttons that are used in the following settings



- 1 Remove any paper from the printer.
 -  [“Removing Roll paper or Roll 1” on page 36](#)
 -  [“Removing Cut Sheets” on page 41](#)
 -  [“Removing Poster Board” on page 44](#)
- 2 Confirm that the printer is ready to print. Press the ◀▶ buttons to highlight  and press the OK button.

The Maintenance menu will be displayed.
- 3 Press the ▼/▲ buttons to select **Cutter Maintenance**, and then press the OK button.
- 4 Press the ▼/▲ buttons to highlight **Replace Cutter** and press the OK button.
- 5 The cutter will move to the replacement position.
- 6 Remove the old cutter from the printer.

Loosen the screw holding the cutter in place using a cross-head screwdriver and pull the cutter straight out.