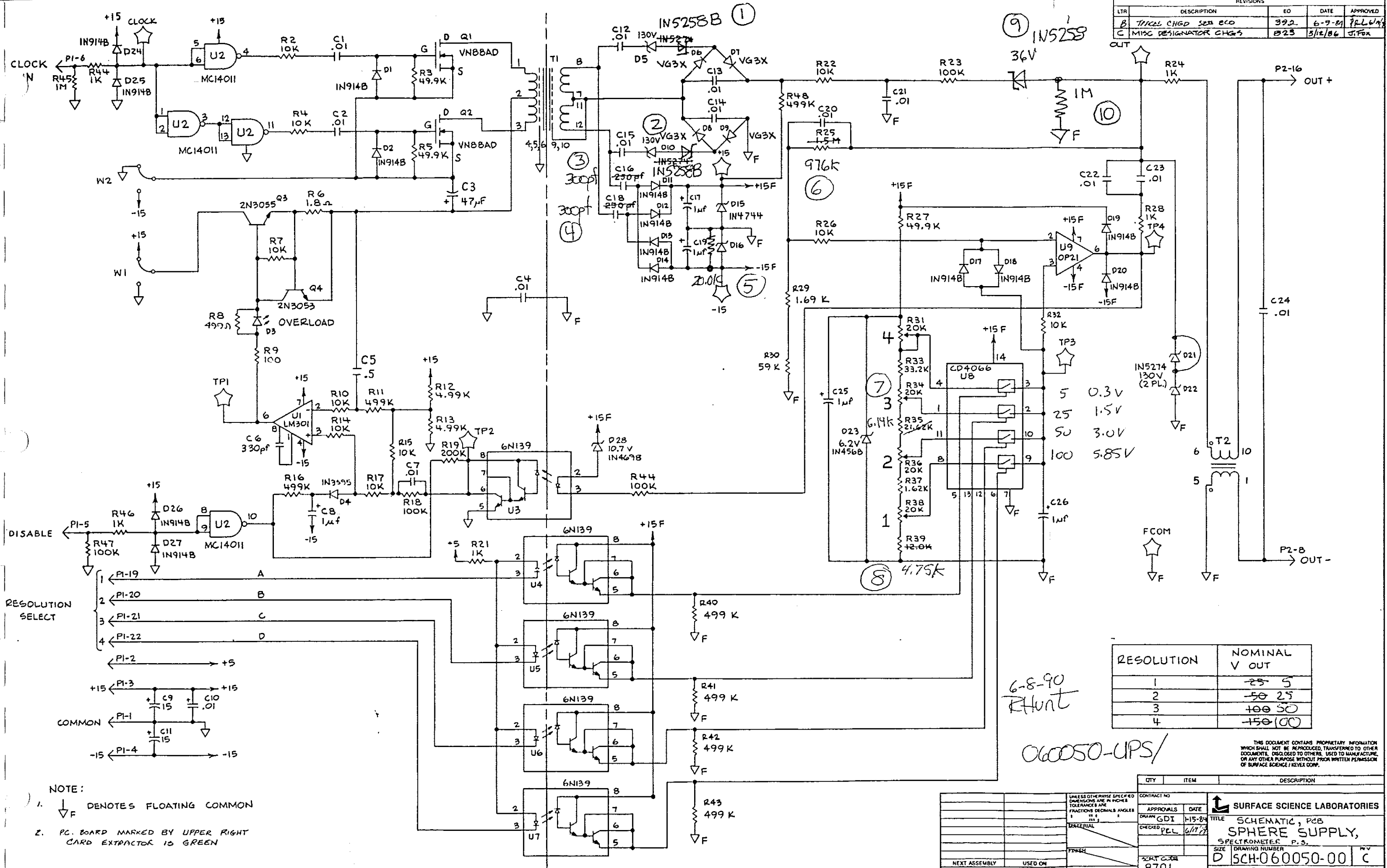


REVISIONS				
LTR	DESCRIPTION	EO	DATE	APPROVED
B	TYPICAL CHGD SEE ECO	392	6-9-84	JFL/WJ
C	MISC DESIGNATOR CHGS	B23	5/12/86	J.Fox



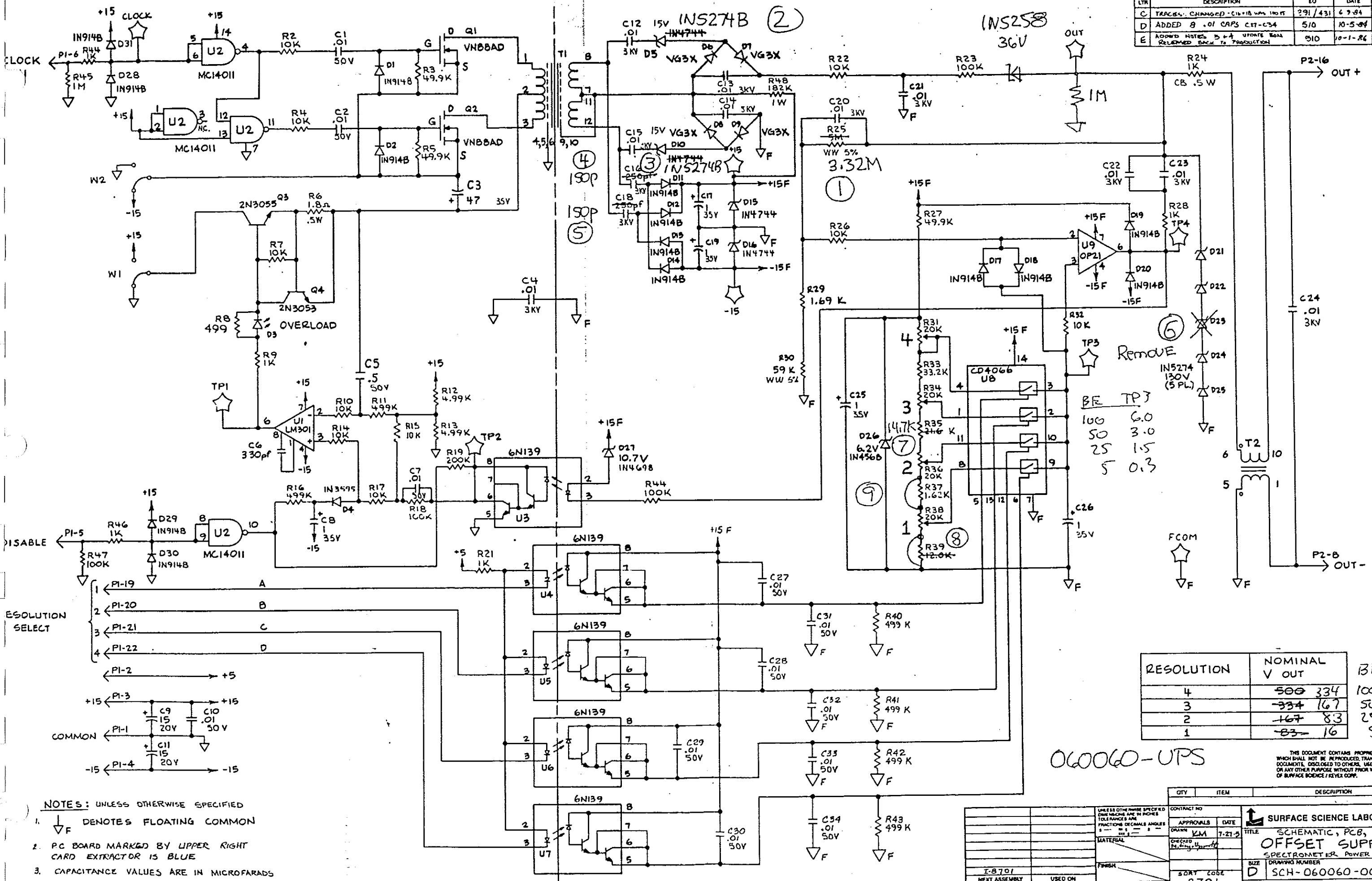
RESOLUTION	NOMINAL V OUT
1	25-5
2	50-25
3	100-50
4	150-100

- NOTE:**
- ↓ F DENOTES FLOATING COMMON
 - PC BOARD MARKED BY UPPER RIGHT CARD EXTRACTOR IS GREEN

THIS DOCUMENT CONTAINS PROPRIETARY INFORMATION WHICH SHALL NOT BE REPRODUCED, TRANSFERRED TO OTHER DOCUMENTS, DISCLOSED TO OTHERS, USED TO MANUFACTURE, OR ANY OTHER PURPOSE WITHOUT PRIOR WRITTEN PERMISSION OF SURFACE SCIENCE LABORATORIES.

CONTRACT NO.		DATE		SURFACE SCIENCE LABORATORIES
APPROVALS		DATE		
DRAWN GDI		DATE		TITLE
CHECKED PEL		DATE		SPHERE SUPPLY, SPECTROMETER P.S.
MATERIAL		FINISH		SIZE DRAWING NUMBER
NEXT ASSEMBLY		USED ON		D SCH-060050-00
APPLICATION		DO NOT SCALE DRAWING		SCALE NONE
		CITY		SHEET / OF /
		ITEM		
		DESCRIPTION		

REVISIONS				
LTR	DESCRIPTION	EO	DATE	APPROVED
C	TRACES CHANGED - C11 +15 W/100T		291/431 6-9-84	RLE 4/4/84
D	ADDED 8 .01 CAPS C17-C24		510 10-5-84	WTE 1/1/84
E	ADDED NOTES 3 & 4 UPDATE 8444 RELEASED BACK TO PRODUCTION		510 10-1-86	WG



RESOLUTION	NOMINAL V OUT	BE
4	500 334	100
3	334 167	50
2	167 83	25
1	83 16	5

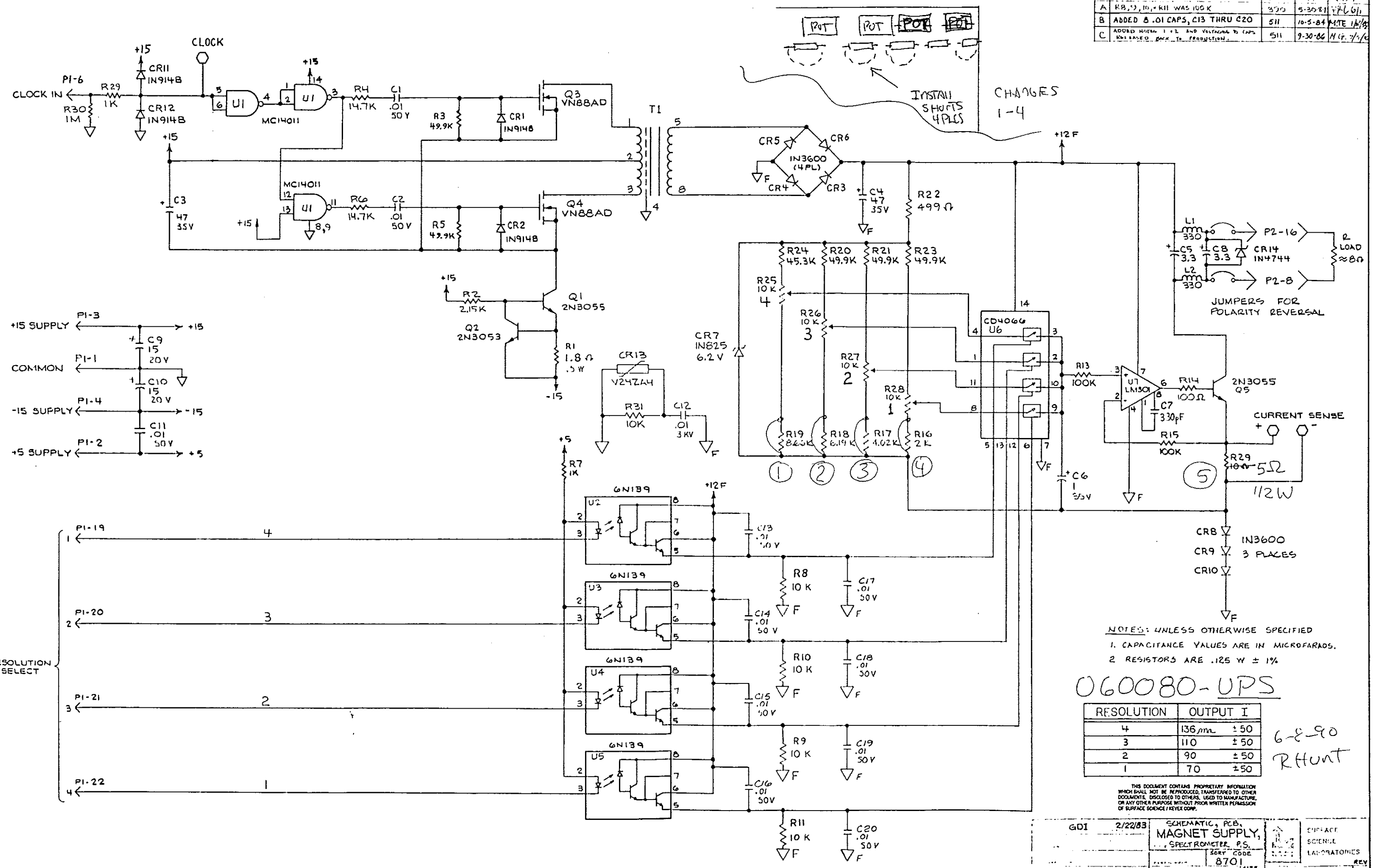
060060-UPS

- NOTES: UNLESS OTHERWISE SPECIFIED
1. ∇ F DENOTES FLOATING COMMON
 2. PC BOARD MARKED BY UPPER RIGHT CARD EXTRACTOR IS BLUE
 3. CAPACITANCE VALUES ARE IN MICROFARADS
 4. RESISTORS ARE .125 WATT \pm 1%

THIS DOCUMENT CONTAINS PROPRIETARY INFORMATION WHICH SHALL NOT BE REPRODUCED, TRANSFERRED TO OTHER DOCUMENTS, DISCLOSED TO OTHERS, USED TO MANUFACTURE OR ANY OTHER PURPOSE WITHOUT PRIOR WRITTEN PERMISSION OF SURFACE SCIENCE LABORATORIES.

QTY		ITEM		DESCRIPTION	
CONTRACT NO.					
APPROVALS		DATE		TITLE	
DRAWN		7-21-85		SCHEMATIC, PCB, OFFSET SUPPLY, SPECTROMETER POWER SUPPLY	
MATERIAL		CHECKED		SIZE	
FINISH		DRAWN		DRAWING NUMBER	
I-8701		8701		D SCH-060060-00	
NEXT ASSEMBLY		USED ON		REV	
APPLICATION		DO NOT SCALE DRAWING		E	
SCALE				SHEET 1 OF 1	

A	R8, 9, 10, R11 WAS 100K	3/73	5-30-81	WLB/1
B	ADDED 8 .01 CAPS, C13 THRU C20	5/11	10-5-84	MTE 1/1/85
C	ADDED NOTES 1 & 2 AND VOLTAGE TO CAPS RELEASED BACK TO PRODUCTION.	5/11	9-30-86	H. G. 7/1/86



NOTES: UNLESS OTHERWISE SPECIFIED
 1. CAPACITANCE VALUES ARE IN MICROFARADS.
 2. RESISTORS ARE .125 W ± 1%

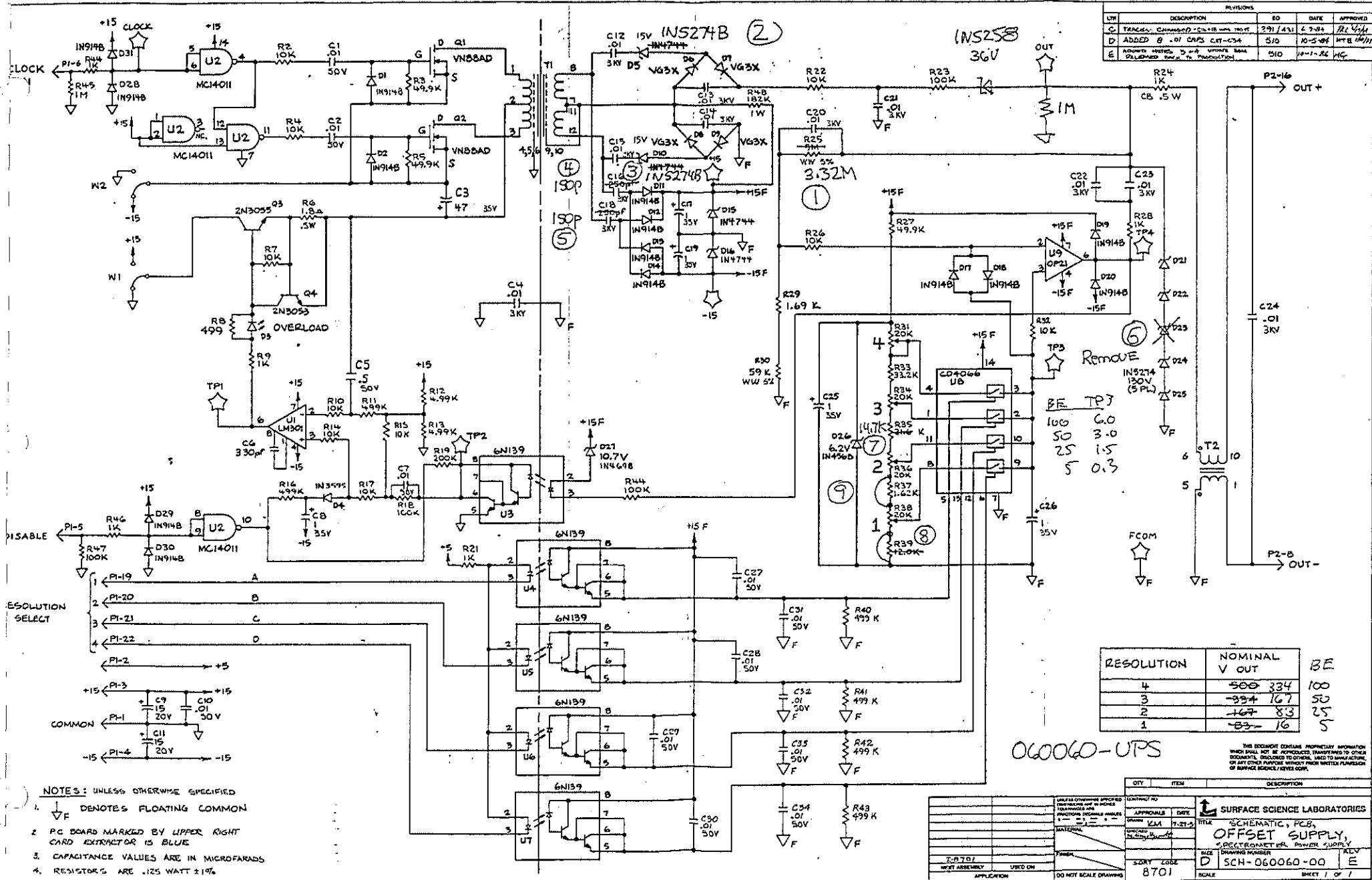
060080-UPS

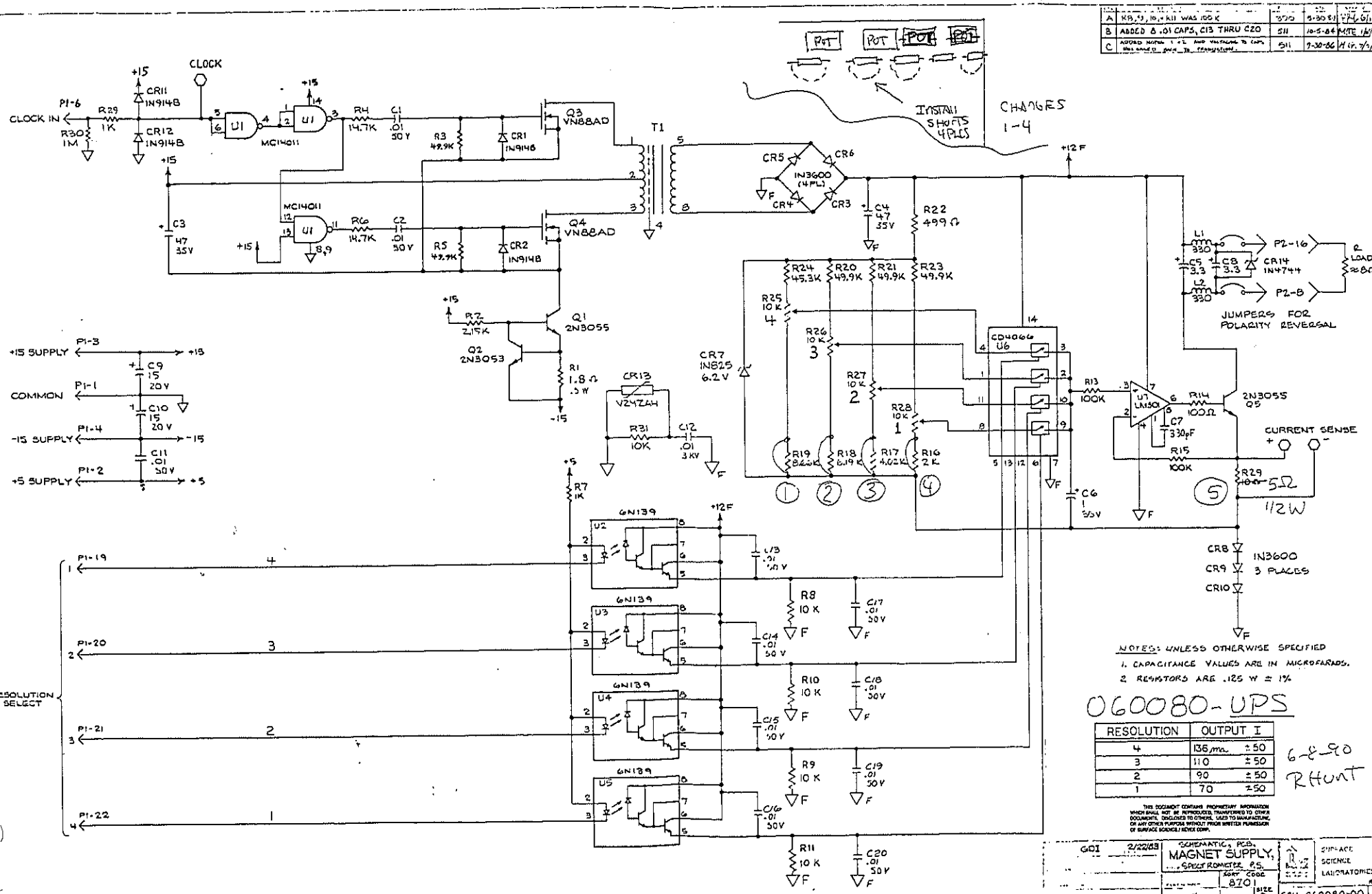
RESOLUTION	OUTPUT I
4	136 mA ± 50
3	110 ± 50
2	90 ± 50
1	70 ± 50

6-8-90
R Hunt

THIS DOCUMENT CONTAINS PROPRIETARY INFORMATION WHICH SHALL NOT BE REPRODUCED, TRANSFERRED TO OTHER DOCUMENTS, DISCLOSED TO OTHERS, USED TO MANUFACTURE, OR ANY OTHER PURPOSE WITHOUT PRIOR WRITTEN PERMISSION OF SURFACE SCIENCE / KEYEX CORP.

GDI	2/22/83	SCHMATIC, PCB, MAGNET SUPPLY, SPECTROMETER P.S.	SIZE D	REV C
		870		





A	RB, 10, 11 WAS 100 K	5/20	5-30-81	7/6/81
B	ADDED Δ .01 CAPS, C13 THRU C20	5/11	10-5-84	MTE 1/1/85
C	REVISION 1.0 AND VARIATIONS TO CAPS. AND RESISTORS	5/11	7-30-86	1/1/87

CHANGES 1-4

INSTALL SHORTS 4PLS

NOTES: UNLESS OTHERWISE SPECIFIED
 1. CAPACITANCE VALUES ARE IN MICROFARADS.
 2. RESISTORS ARE .125 W ± 1%

060080-UPS

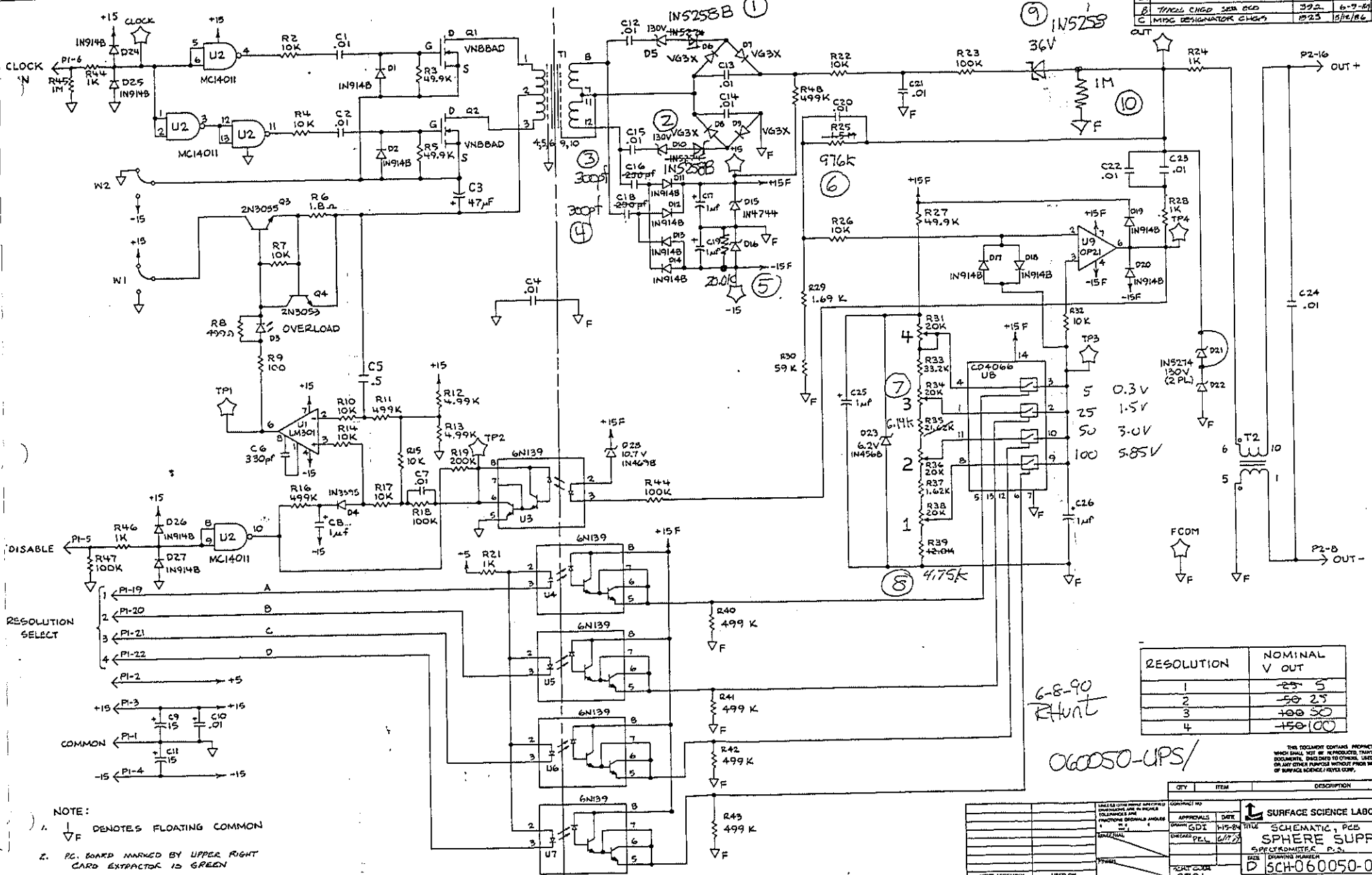
RESOLUTION	OUTPUT I
4	136 mA ± 50
3	110 ± 50
2	90 ± 50
1	70 ± 50

6-8-90
RHUNT

THIS DOCUMENT CONTAINS PROPRIETARY INFORMATION WHICH SHALL NOT BE REPRODUCED, TRANSMITTED TO OTHERS, DISCLOSED TO OTHERS, COPIED, OR IN ANY OTHER MANNER WITHOUT PRIOR WRITTEN PERMISSION OF SURFACE SCIENCE LABORATORIES.

GO1	2/22/83	SCHEMATIC, PCB, MAGNET SUPPLY, SPECTROMETER, 25, 2500	SIZE B	SURFACE SCIENCE LABORATORIES
		8701	SIZE B	SCH-060080-001C

REV	DESCRIPTION	BY	DATE	APPROVED
B1	TYPICAL CHGD SEA OGD	392	6-7-86	PEL/MLP
C	INTG DESIGNATOR CHG'S	R23	5/16/86	OFFX



NOTE:
 1. Ⓢ DENOTES FLOATING COMMON
 2. PCB BOARD MARKED BY UPPER RIGHT CARD EXTRACTOR IS GREEN

RESOLUTION	NOMINAL V OUT
1	-25 5
2	-50 25
3	+00 50
4	+50 100

6-8-90
 R Hunt
 060050-UPS/

QTY		ITEM		DESCRIPTION	
<small>UNLESS OTHERWISE SPECIFIED, ALL DIMENSIONS ARE IN MILLIMETERS (INCHES) AND FINISHES SHOULD BE STANDARD.</small>					
APPROVALS		DATE		TITLE	
DESIGNED: GDI		1-15-84		SCHEMATIC, PCB	
CHECKED: PEL		CUT/38		SPHERE SUPPLY	
DRAWN: GDI				SPECIAL INSTRUCTIONS: P.S.	
PARTS LIST: 8701		SCALE: NONE		DRAWING NUMBER: 5CH060050-00 C	
NEXT ASSEMBLY:		USED ON:		SHEET 1 OF 1	
APPLICATION:		DO NOT SCALE DRAWING			

THIS DOCUMENT CONTAINS PROPRIETARY INFORMATION WHICH SHALL NOT BE REPRODUCED, TRANSMITTED TO OTHER DOCUMENTS, ENCLOSED TO OTHERS, LOANED TO MANUFACTURER OR ANY OTHER PARTY WITHOUT PRIOR WRITTEN PERMISSION OF SURFACE SCIENCE / TRIVOL CORP.

SURFACE SCIENCE LABORATORIES