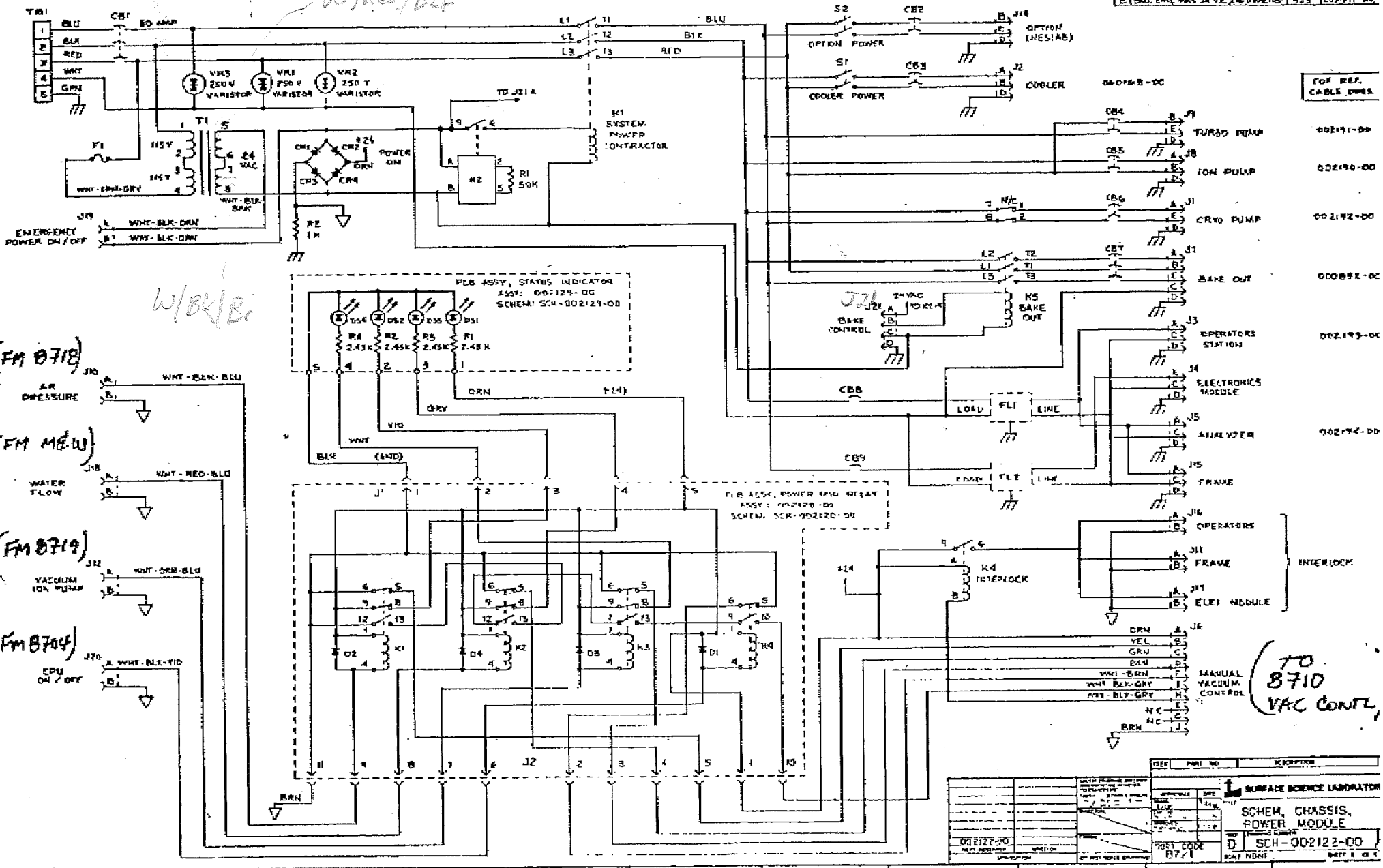


REV	DESCRIPTION	ECO	DATE	BY
A	PRODUCTION RELEASE	B57	01/16	RIP
B	BAKE CTRL W/TS 24 VAC AND DRYING	R23	01/27	JK



FOR REF. CABLE DWGS.

- TURBO PUMP 002191-00
- ION PUMP 002190-00
- CRYO PUMP 002192-00
- BAKE OUT 002088-00
- OPERATORS STATION 002193-00
- ELECTRONICS MODULE 002194-00
- ANALYZER 002194-00
- FRAME
- OPERATORS
- FRAME
- ELCT MODULE
- MANUAL VACUUM CONTROL

TO 8710 VAC CONTRL

REV	DATE	DESCRIPTION
002122-00	07/1	SCHEM. CHASSIS. POWER MODULE

SURFACE SCIENCE LABORATORY  
 SCH-002122-00  
 REV 1 OF 1